

Wellco

SPECIFICATION FOR APPROVAL

CUSTOMER _____

CUSTOMER'S PART NO. _____ REV. _____

DESCRIPTION RJ45 ICM (1000 Base-T 1Port)

CZT'S PART NO. JDGU12920209 REV. A

ISSUE NO. _____

ISSUE DATE JUL.23,2014

APPROVED

APPROVED UNDER
THE CONDITIONS:

REJECTED:

www.wellco.com.tw

Wellco

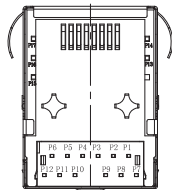
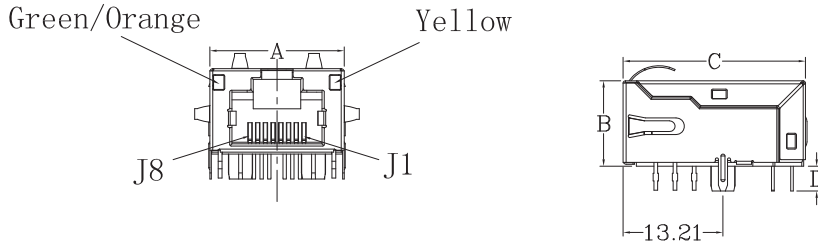
SPECIFICATION FOR APPROVAL

Customer Part No.:
Wellco P/N # JDGU12920209
Part Name: RJ45 ICM(1000Base-T 1Port)

Rev.: A



4. Mechanical Dimension and Notes: 4-1. Mechanical Dimension:



UNIT : mm / inch

A = 17.78 / 0.700

B = 11.30 / 0.445

C = 24.13 / 0.950

D = 3.30 / 0.130

Unless otherwise specified, all dimensions tolerances is $\pm 0.254 / 0.010$.

4-2. Notes:

1. CONNECTOR MATERIAL:
HOUSING: THERMOPLASTIC BLACK UL94 V-0
SHIELD: Brass
SHIELD PLATING: NICKEL
CONTACT: PHOSPHOR BRONZE
CONTACT PLATING: SELECTIVE GOLD, 30 MICRO-INCHES MIN IN CONTACT AREA
2. PIN NOT ELECTRICALLY CONNECTED MAYBE OMITTED SEE ELECTRICAL DRAWING FOR OMITTED PINS
3. RJ45 CAVITIES CONFORM TO FCC RULES AND REGULATION PART 68.
4. THE PART IS RECOMMENDED FOR WAVE SOLDERING PROCESS PEAK SOLDERING TEMPERATURE IS 260° C MAX, 10 SECS MAX
5. OPERATING TEMPERATURE T= 0° C TO $+70^{\circ}$ C.
6. STORAGE TEMPERATURE T= -40° C TO $+85^{\circ}$ C.

LED SPECIFICATION				
STANDARD LED	WAVELENGTH	Forward Current	Forward V(max)	TYP
GREEN	565nm	20 mA	2.4V	2.2V
YELLOW	590nm	20 mA	2.5V	2.1V
ORANGE	605nm	20 mA	2.5V	2.0V

Drawn by
ChenLingjuan

Designed by
SunWenqun

Approved by
Topup.Liu

Wellco

SPECIFICATION FOR APPROVAL

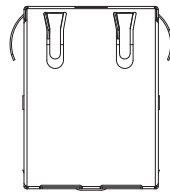
Customer Part No.:
Wellco P/N # JDGU12920209
Part Name: RJ45 ICM(1000Base-T 1Port)

Rev.: A

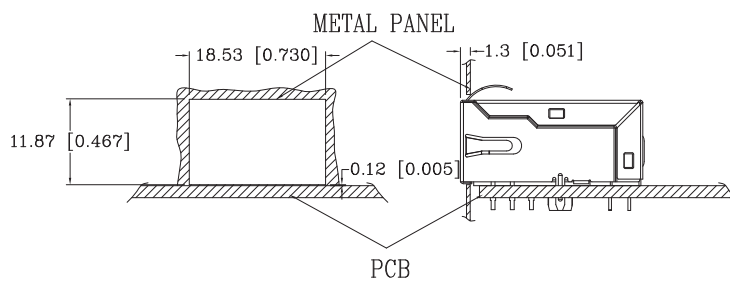


5. Label and Recommended PWB Layout and Suggested Panel Opening:
5-1. Label:

Plug In Side



- 5-2. Suggested Panel Opening:



UNIT: mm / inch
Tolerances: ± 0.10 / 0.004

REFERENCE ONLY

Wellco

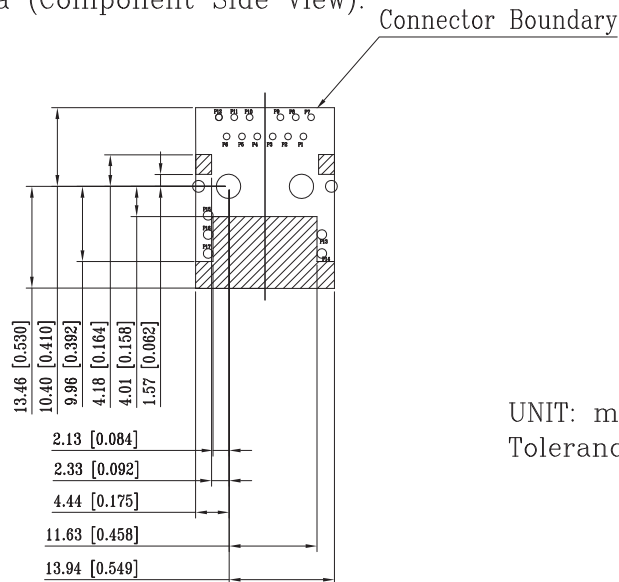
SPECIFICATION FOR APPROVAL

Customer Part No.:
Wellco P/N # JDGU12920209
Part Name: RJ45 ICM(1000Base-T 1Port)

Rev.: A



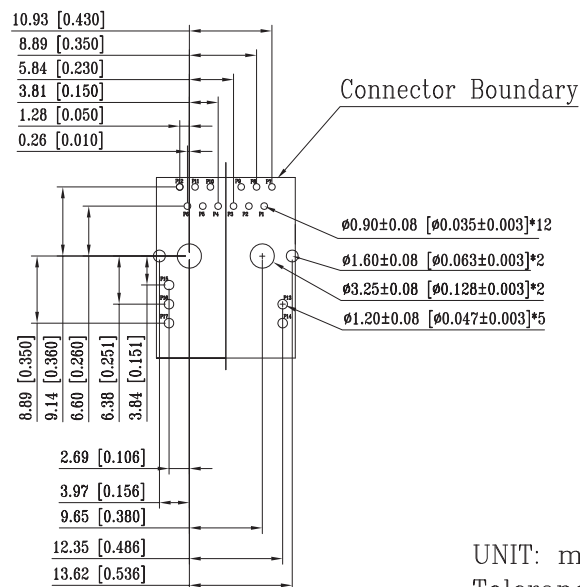
5-3. Keep-Out Area (Component Side View):



UNIT: mm / inch
Tolerances: ± 0.10 / 0.004

Plug In Side

5-4. Recommended PWB Layout (Component Side View):



UNIT: mm / inch
Tolerances: ± 0.10 / 0.004

Plug In Side

Wellco

SPECIFICATION FOR APPROVAL

Customer Part No.:

Wellco P/N # JDGU12920209

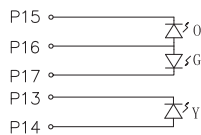
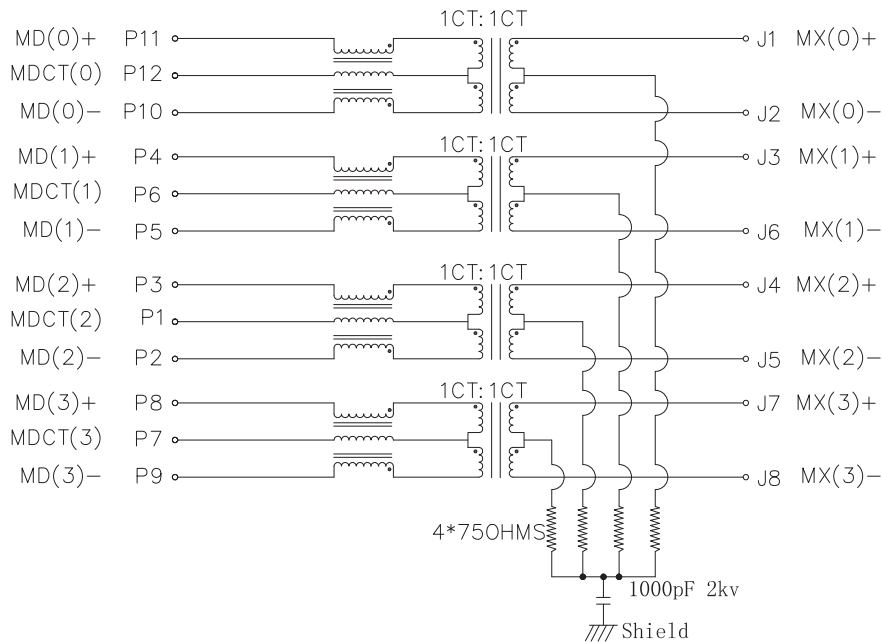
Part Name: RJ45 ICM(1000Base-T 1Port)

Rev.: A



6. Circuit Schematic and Electrical Specifications:

6-1. Circuit Schematic:



Pin	Yellow	Pin	Orange	Green
P13	-	P15	-	+
P14	+	P17		-

6-2. Electrical Specifications:

- 1.0 Turn Ratio @100KHz: (P11~P10):(J1~J2) = 1:1±5%
 (P4~P5):(J3~J6) = 1:1±5%
 (P3~P2):(J4~J5) = 1:1±5%
 (P8~P9):(J7~J8) = 1:1±5%
- 2.0 Primary Inductance: 350uH MIN @100KHZ,0.1V 8mA DC BIAS
- 3.0 DC Resistance: 1.2 OHMS MAX
- 4.0 Insertion Loss: 1-100MHz -1.0dB MAX
 100-125MHz -1.2dB MAX
- 5.0 Return Loss: 1-40MHz -16dB MIN
 40-60MHz -12dB MIN
 60-80MHz -10dB MIN
 80-100MHz -8dB MIN
- 6.0 CROSS TALK: 1-100MHz -30dB MIN
- 7.0 COMMON TO COMMON MODE ATTENUATION: 1-100MHz -30dB MIN
- 8.0 Isolation: PHY Side to Line Side: 2250VDC