



Insertion Loss: 1-100MHZ -1.0dB MAX

Return Loss: 1-30MHZ -16.0dB MIN
 30-60MHZ -14.0dB MIN
 60-80MHZ -10.0dB MIN

Cross Talk: 1-30MHZ -40.0dB MIN
 30-60MHZ -35.0dB MIN
 60-80MHZ -30.0dB MIN

CMR: 1-100MHZ -35.0dB MIN

Hi-Pot: 1500v AC 6S 1mA

Turn Ratio: 1CT:1CT+/-3%

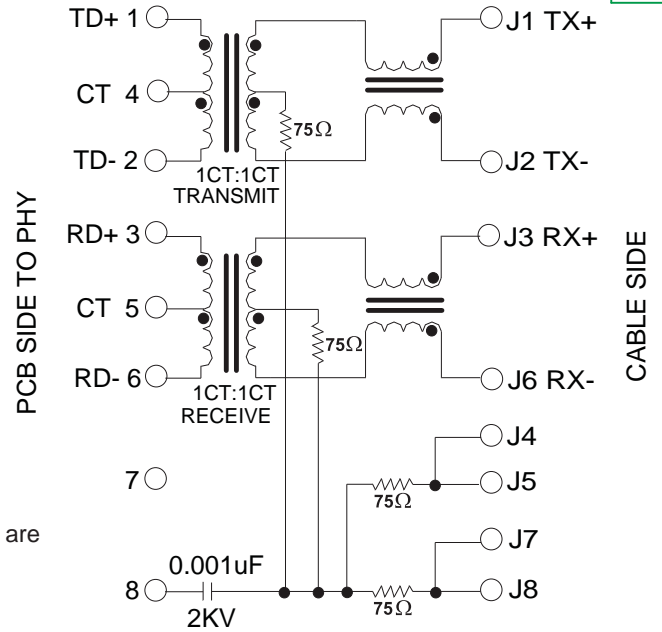
OCL:350uH MIN @ 100KHZ 100mV 8mA DC

Contacts: 0.35mm thick phos bronze plated with 6u' gold in contact are

Housing Material: PBT Black

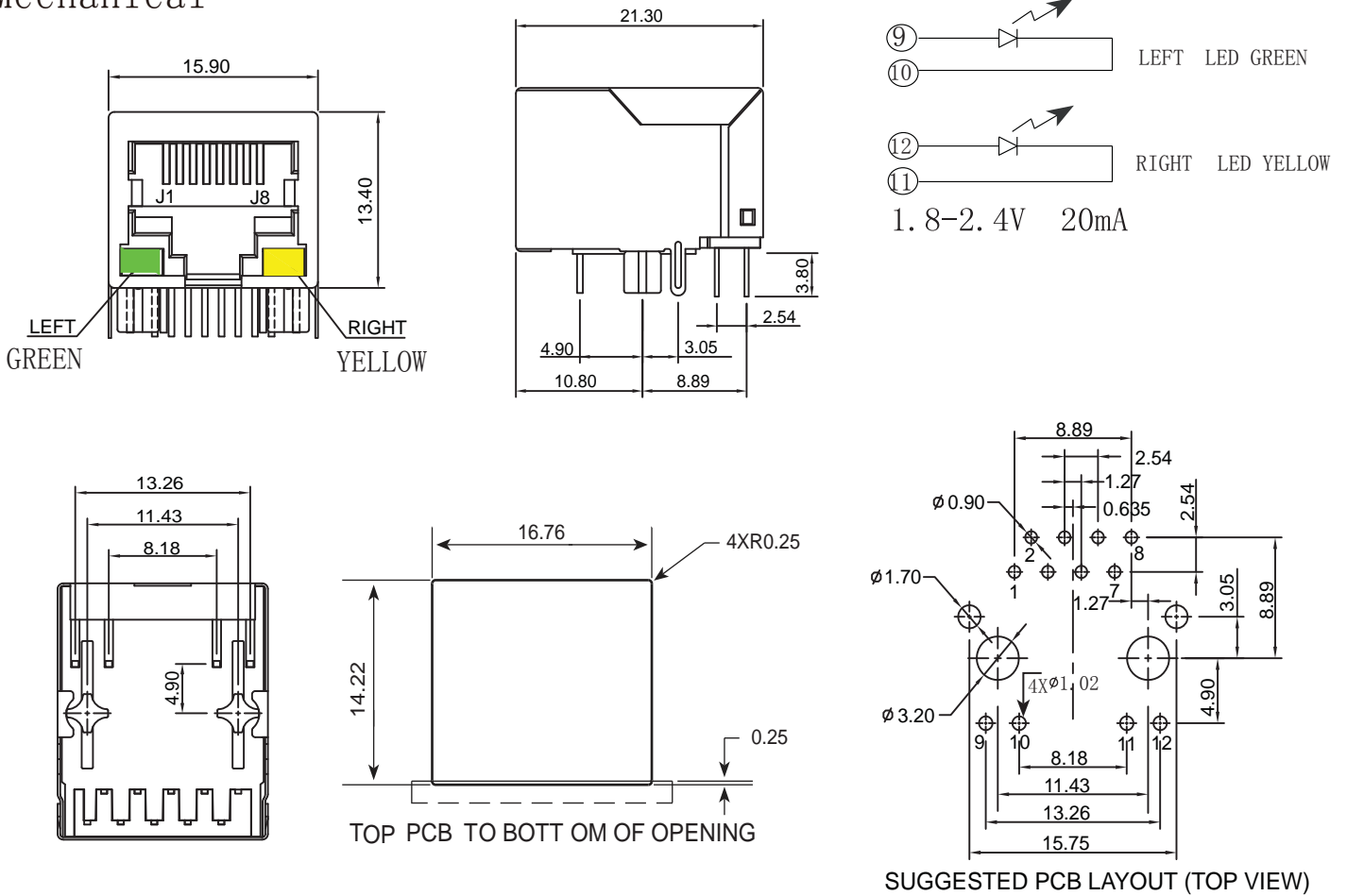
Operating temperature range:0°C to +70°C

Schematics



ELECTRICAL SPECIFICATIONS @ 25°C unless otherwise noted:

Mechanical



Wellco T&C Co., Ltd.						
单位 (units)	MM	设计 (draw)	Billy, July 10, 2012	材料 (mt' l)	图名 (name)	
比例 (scale)	1 : 1	审核 (ch' k)	Chin, July 11, 2012	UNIT: mm	.xx +/-0.25	RJ45 Modular Jack
版次 (rev.)	A / 1	核准 (app' d)	Joey, July 11, 2012	HOUSING	PBT	1x1Tab-Down 100BASE
视图 (view)		日期 (date)	2008. 08. 12	PIN	Qsn6.5-0.1	料号 (Part number)
						图档 (File Name)
						HBJ-4109ANL
						E:\工程图