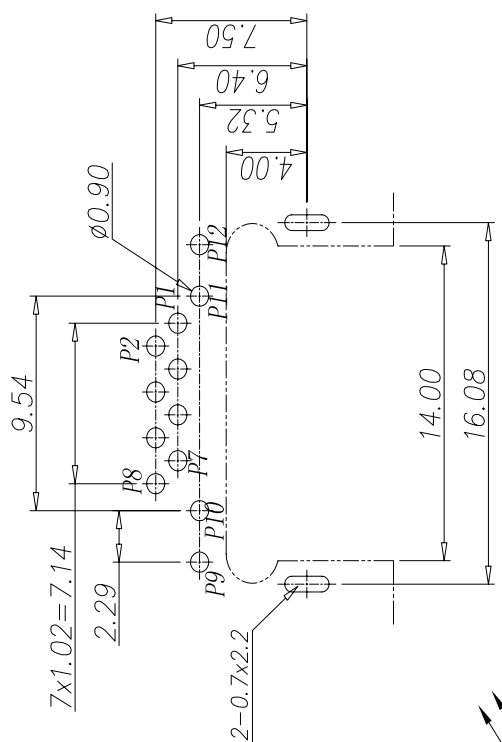
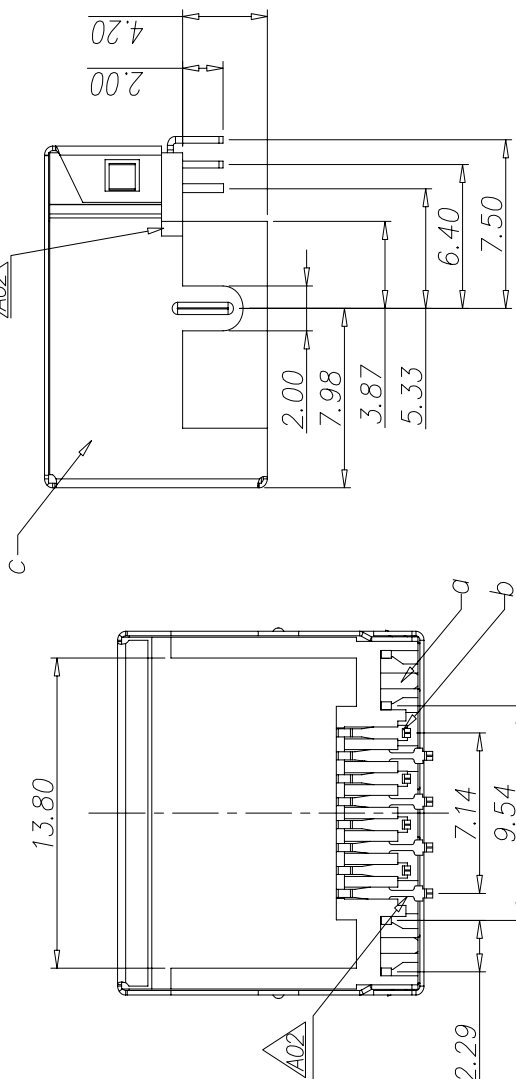
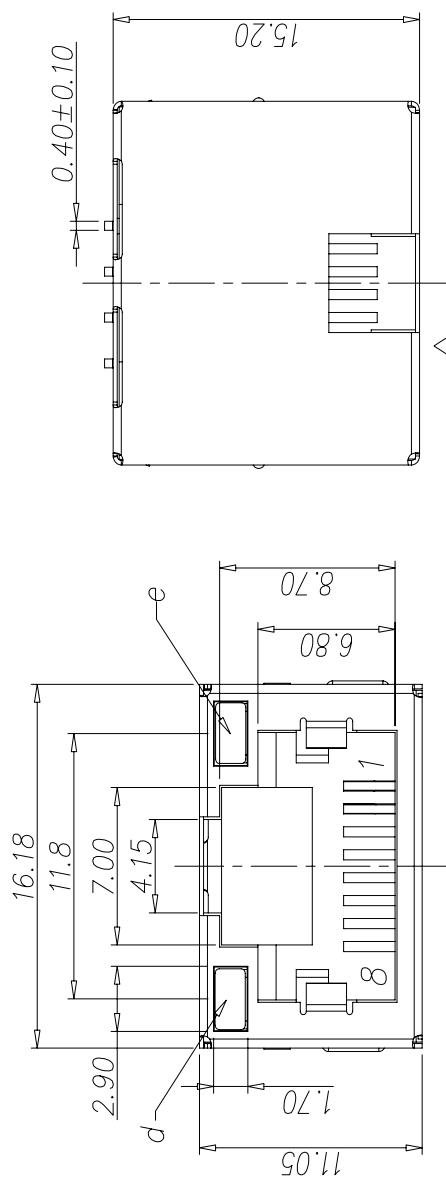


RoHS Compatible

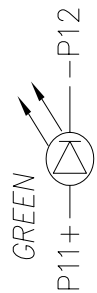
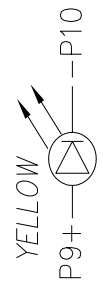
MAK.	QUA.	Description	REV.	DRW.	惠
A					
B					


NOTES:

- HOUSING MATERIAL: GLASS FILLED POLYESTER UL94V-0.
 - CONTACT MATERIAL: COPPER ALLOY, 0.35 MM THICKNESS.
 - PLATING: 1.3, 5.15, 30u" GOLD PLATED ON CONTACT AREA, 100u" MIN. MATTE TIN PLATED ON SOLDERING AREA, 50u" MIN. NICKEL OVERALL.
 - SHELL: COPPER ALLOY, 0.25 MM THICKNESS. 30u" MIN. NICKEL PLATED OVERALL.
- ELECTRICAL:**
- VOLTAGE RATING: 125V AC RMS.
 - CURRENT RATING: 1.5AMP.
 - CONTACT RESISTANCE: 30MILLIOHMS MAX.
 - INSULATION RESISTANCE: 500MEG OHMS MIN @500V DC.
 - DIELECTRIC WITHSTANDING RESISTANCE: 1000V AC RMS 50Hz. 1MIN.
- MECHANICAL:**
- DURABILITY: 750 CYCLES MIN.
 - PCB RETENTION PER-SOLDER: 1LBMIN.
- ENVIRONMENTAL:**
- STORAGE: -40°C~85°C
 - OPERATION: 0°C~70°C
- *Apply to the EU standards(ROSH)



Recommend PCB Layout
(Jack Top View)
Tolerance: ±0.05mm



 <p>Wellco T&C Co., Ltd.</p>	Gen.Tolerance	Scale	Not	P/N # 6041SL-88A	This spec drawing is under the property of Wellco T&C Co., Ltd.	Rev. A	DRW by	AMY July 07 2011
	.X ± 0.20	Unit	mm	RJ45 Sink type + Led		Page 1-1	CHK by	Long July 11 2011
	.XX ± 0.08 .XXX ± 0.05 ∠±1°	Size				APP by	Chin July 11 2011	