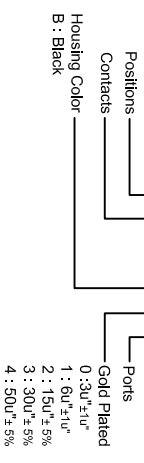


- Electrical Characteristics :**
- Insulation Resistance : 500M $\Omega$  Min.
  - Contact Resistance : 30m $\Omega$  Max.
  - Withstand Voltage : 500 VAC 1 minute.
  - Current Rating : 1.5A

**Material:**

- Housing : Thermoplastic UL94V-0
- Contact : Full Gold Plating
- Spring Wire : Dia 0.45mm Phosphor Bronze
- Optional Gold Plating Over Nickel
- CUL File No : E215573

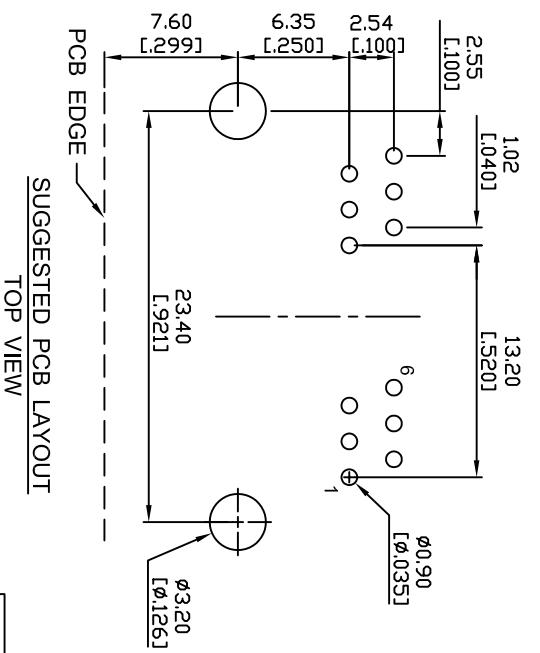
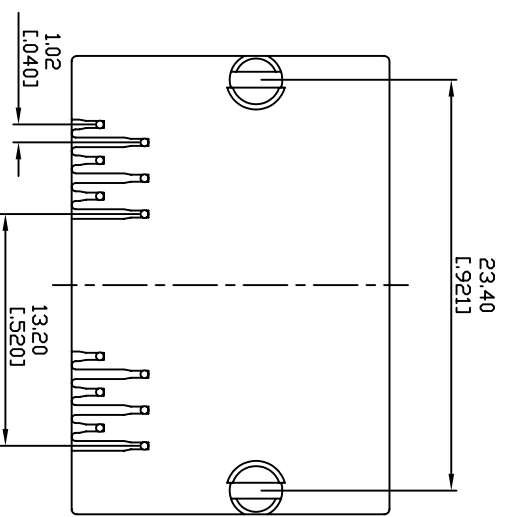
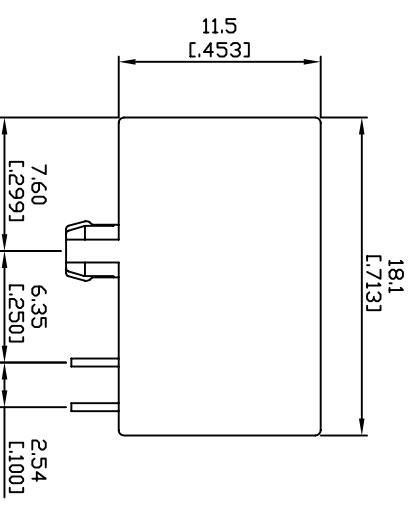
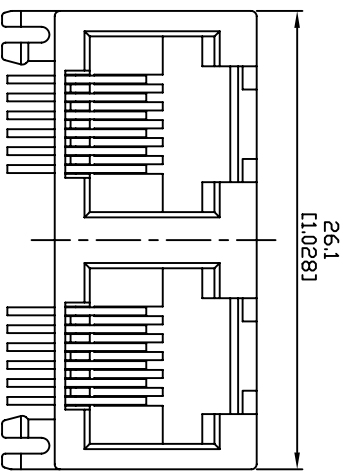
PART NO : 6 0 6 6 A - B \* 1



**Wellco T&C Co., Ltd.**

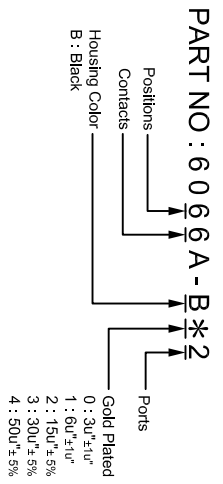
ZONE	REV.	DESCRIPTION	DATE	APPD.	FILE NO : 60 (SERIES)
(A)					<b>TOLERANCE(公差) :</b> 0.000 mm $\pm$ 0.075 mm 0.00 mm $\pm$ 0.15 mm 0.0 mm $\pm$ 0.25 mm
(B)					
(C)					
(D)					
(E)					

TITLE	NON-SHIELDED RJ11 SIDE ENTRY PCB JACK	UNIT	mm
PART NO.	6066A-B * 1	SCALE	1 : 1
REV.	A.0	DATE	2007-01-29
CHECKED BY	Michael	DRAWN BY	Vallant
審核		製圖	



- Electrical Characteristics :**
- Insulation Resistance : 500M $\Omega$  Min.
  - Contact Resistance : 30m $\Omega$  Max.
  - Withstand Voltage : 500 VAC 1 minute.
  - Current Rating : 1.5A

**Material:**  
 Housing : Thermoplastic UL94V-0  
 Contact : Full Gold Plating  
 Spring Wire : Dia 0.45mm Phosphor Bronze  
 Optional Gold Plating Over Nickel  
 CUL File No : E215573



# Wellco T&C Co., Ltd.

ZONE	REV.	DESCRIPTION	DATE	APPD.	FILE NO : 60 (SERIES)	TITLE	UNIT
(A)					TOLERANCE(公差) : 0.000 mm ± 0.075 mm 0.00 mm ± 0.15 mm 0.0 mm ± 0.25 mm	6P6C SIDE ENTRY PCB JACK	mm
(B)						PART NO.	inch
(C)						6066A-B*2	SCALE
(D)						REV. 版本	比例
(E)						CHECKED BY 審核	DATE 日期
						2007-01-29	1 : 1
						DRAWN BY 製圖	
						Michael	Vallant