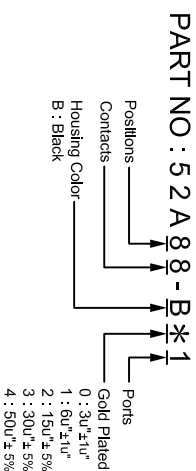


SUGGESTED PCB LAYOUT  
TOP VIEW

- Electrical Characteristics :**
- Insulation Resistance : 500MΩ Min.
  - Contact Resistance : 30mΩ Max.
  - Withstand Voltage : 500 VAC 1 minute.
  - Current Rating : 1.5A

**Material:**  
 Housing : Thermoplastic UL94V-0  
 Contact : Full Gold Plating  
 Spring Wire : Dia 0.45mm Phosphor Bronze  
 Optional Gold Plating Over Nickel  
 CUL File No : E215573

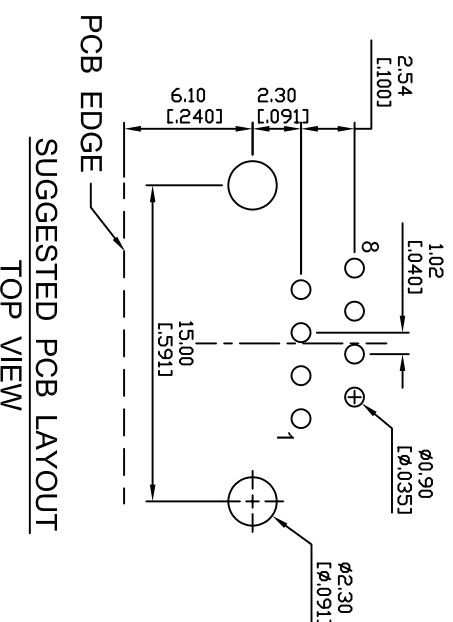
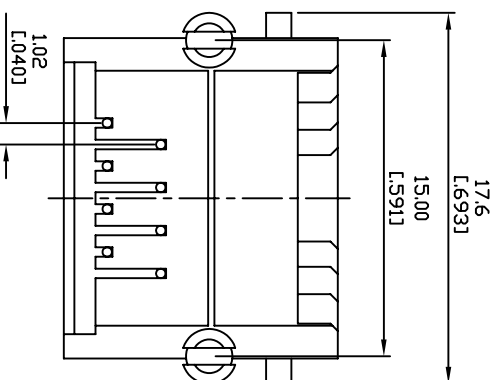
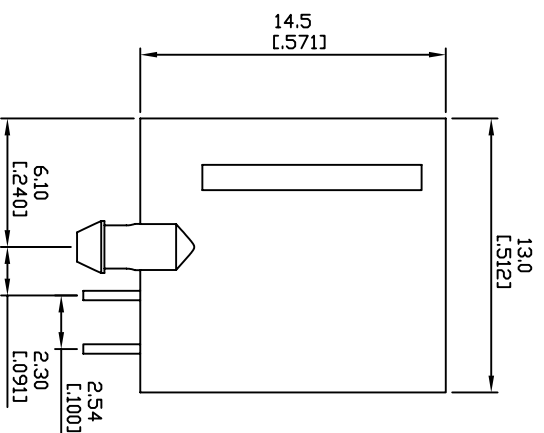
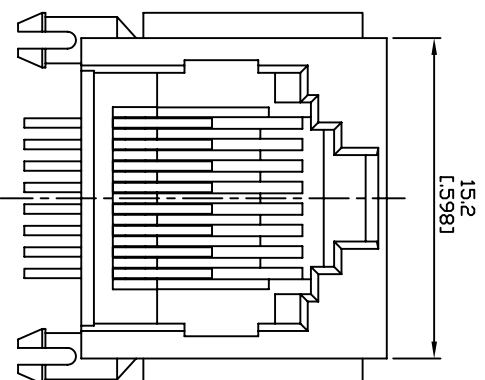


**Wellco T&C Co., Ltd.**

ZONE	REV.	DESCRIPTION	DATE	APPD.	FILE NO : 52 (SERIES)
(A)					<b>TOLERANCE(公差) :</b> 0.000 mm $\pm$ 0.075 mm 0.00 mm $\pm$ 0.15 mm 0.0 mm $\pm$ 0.25 mm
(B)					
(C)					
(D)					
(E)					

TITLE	NON-SHIELDED RJ45 SIDE ENTRY PCB JACK	UNIT
圖名	NON-SHIELDED RJ45 SIDE ENTRY PCB JACK	單位
PART NO.	52A88-B*1	mm
料號	52A88-B*1	inch
REV.	A.0	SCALE
版本	日期	比例
2007-01-22		1 : 1
CHECKED BY	Michael	DRAWN BY
審核	Michael	製圖
		Vallant



- Electrical Characteristics :**
- Insulation Resistance : 500MΩ Min.
  - Contact Resistance : 30mΩ Max.
  - Withstand Voltage : 500 VAC 1 minute.
  - Current Rating : 1.5A

**Material:**

Housing : Thermoplastic UL94V-0

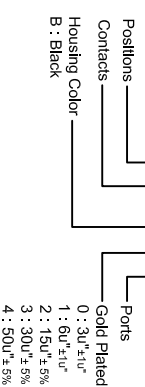
Contact : Full Gold Plating

Spring Wire : Dia 0.45mm Phosphor Bronze

Optional Gold Plating Over Nickel

CUL File No : E215573

PART NO : 5 2 8 8 - B \* 1



**Wellco T&C Co., Ltd.**

ZONE	REV.	DESCRIPTION	DATE	APPD.	FILE NO : 52 (SERIES)
(A)					<b>TOLERANCE(公差) :</b> 0.000 mm ± 0.075 mm 0.00 mm ± 0.15 mm 0.0 mm ± 0.25 mm
(B)					
(C)					
(D)					
(E)					

TITLE	NON-SHIELDED RJ45 SIDE ENTRY PCB JACK	UNIT	mm
圖名	NON-SHIELDED RJ45 SIDE ENTRY PCB JACK	單位	mm
PART NO.	5288-B*1	SCALE	1:1
料號	5288-B*1	比例	1:1
REV.	A.0	DATE	2007-01-22
版本	A.0	日期	2007-01-22
CHECKED BY	Michael	DRAWN BY	Vallant
審核	Michael	製圖	Vallant