

MATERIALS:

PLASTIC HOUSING: ENGINEERING THERMOPLASTIC

FLAMMABILITY RATING UL 94V-0.

CONTACTS: PHOSPHOR BRONZE

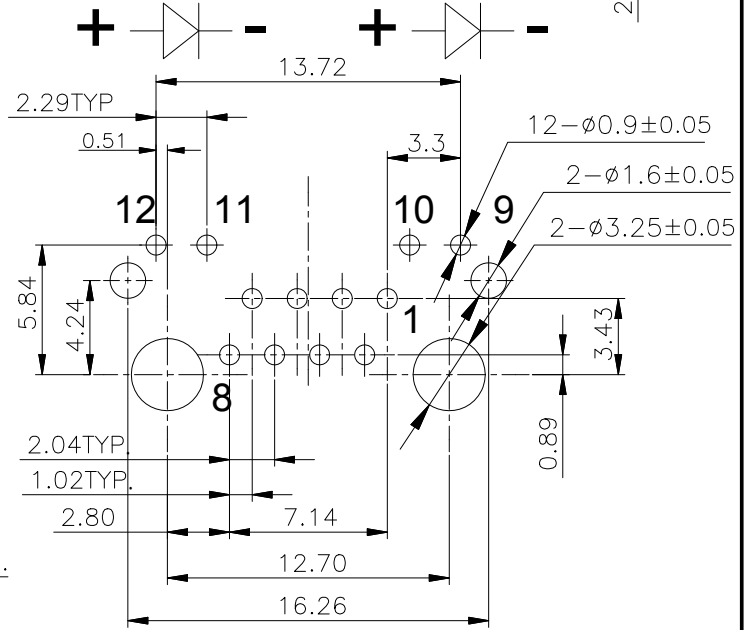
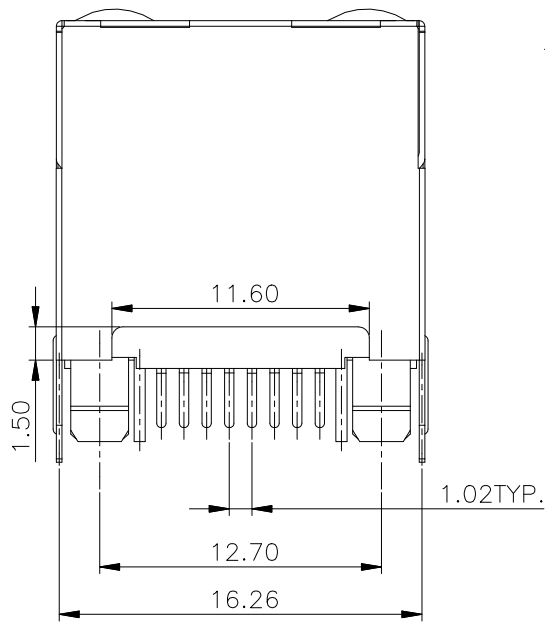
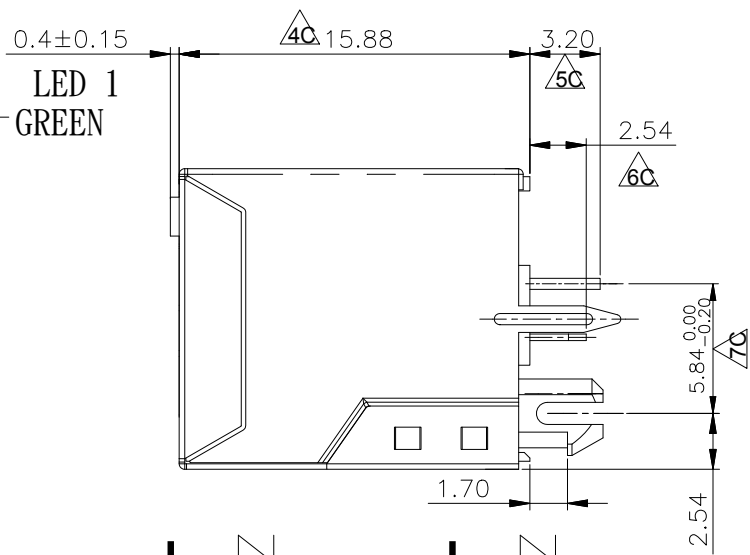
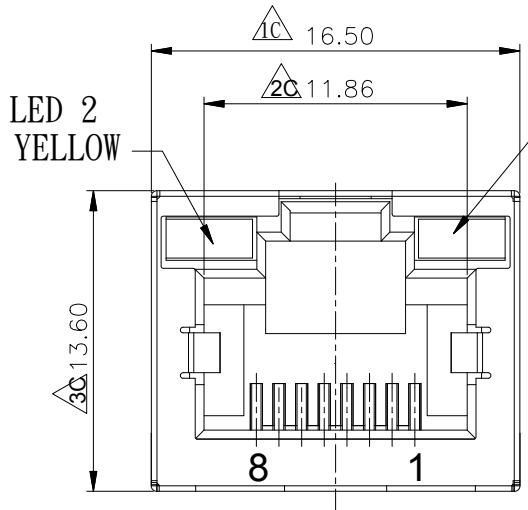
PLATING: GOLD PLATING OVER NICKEL IN CONTACT.

TIN PLATING OVER NICKEL IN SOLDER AREA.

※凡標註 △記號者, 為品管檢驗之尺寸

RoHS COMPLIANT

P/N 6u" 3061A20H11  
 15u" 3061A20H21  
 30u" 3061A20H31  
 50u" 3061A20H41



設計 DR. Vinson Liao 96-05-22	核准 APPD. Jerry 96-05-22
-----------------------------------	-------------------------------

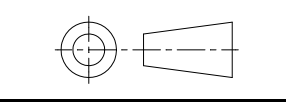
容許公差	TOLERANCE
.XXX	±0.10
.XX	±0.25
.X	±0.38
X	±0.50
ANG	±3°

品名 ARTICLE	Top Entry With Led PCB Jack
---------------	-----------------------------

版本說明 REVISION NOTE	依據表單 E302-0705056 增加規格料號
-----------------------	--------------------------

圖號 DWG NO.	3061A20H11
---------------	------------

**Wellco T&C Co., Ltd.**



單位 UNIT mm	比例 SCALE 2/1	張數 SHEET 1/1	版本 REV. A
---------------	-----------------	-----------------	--------------