

RoHS Compliant

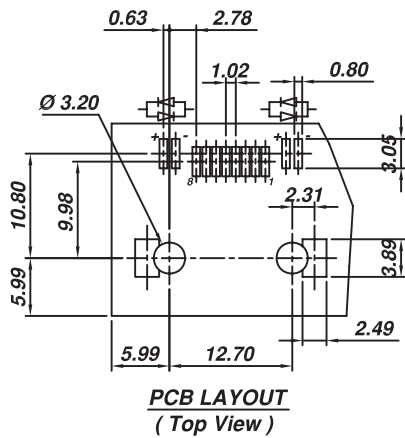
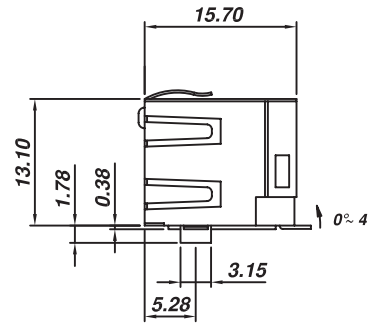
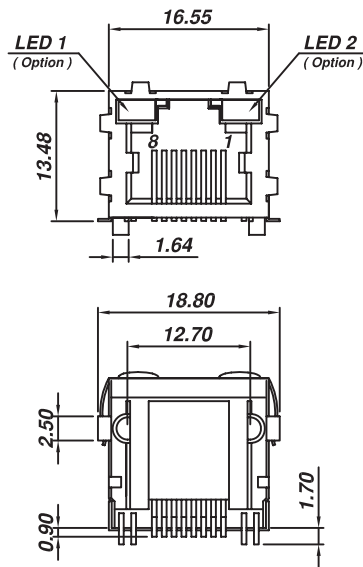
SPECIFICATION :

1. Electrical Char.

- Insulation Resistance : 500M-Ohm Min.
- Contact Resistance : 20milli-Ohm Max.
- Rating Current : 1.5A Max.
- Rating Voltage : 120V AC.
- Dielectric Voltage : 1,000 Vrms 60 Sec. Min.

2. Physical char.

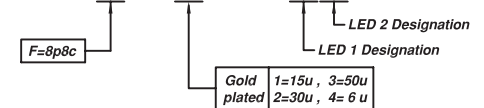
- Housing :
Nylon (UL 94V-0), Soldering Temperature:260°C
- Color : Black Color
- Spring Wire :
0.35mm Thickness Phosphor bronze Gold Plating Over Nickel
- Shielded : Brass Plating Nickel
- Temperature Range : - 40°C / +85°C
- Durability : 500 Mating cycles Min.



LED Designation :

Code	Forward	Reverse	Code	Forward	Reverse
G	Green	---	4	Yellow	Red
Y	Yellow	---	5	Green	Yellow
R	Red	---	6	Yellow	Green
O	Orange	---	9	Red	Green
3	Green	Red	0	Red	Yellow

AJ-069SH-8-F-RX-N4-XX



Wellco T&C Co., Ltd.

TITLE

RJ45 SIDE ENTRY S.M.T. JACK WITH LED

UL & cUL FILE NO. E131820

MODULAR JACKS ASSY FOR
AJ-069SH-8-F-RX-N4-XX

SCALE SIZE DWG. NO. 9769S-8 SERIES

DWG. NO.

AST069006-2

NOT SCALED DRAWING	TOLERANCE UNLESS OTHERWISE NOTICE	INCH	MM	DR.	DATE
THIRD ANGLE PROJECTION	LINEAR	00±0.01 000±0.005 0000±0.002	00±0.25 000±0.13 0000±0.05	Steven CK'D Johnn APP'D Billy	DEC-03 '07 DEC-03 '07 DEC-03 '07
	ANGLE +0°30'	RADIL	+0.45 -0.15		