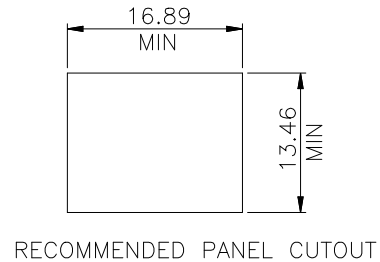
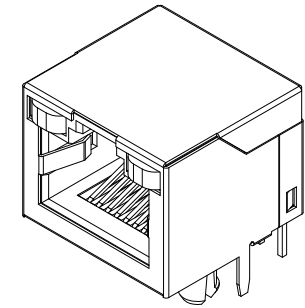
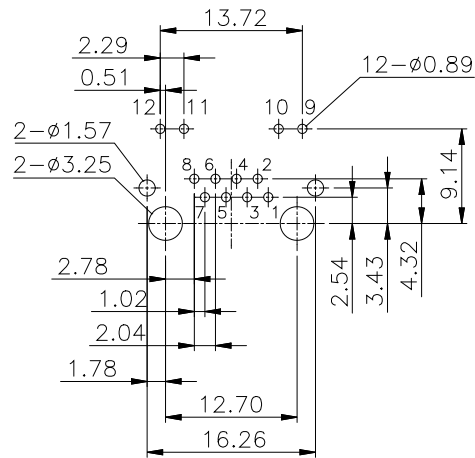


TYPICAL FOR SINGLE COLOR LED (RED, GREEN, YELLOW)



MATERIALS:
 PLASTIC HOUSING: ENGINEERING THERMOPLASTIC
 FLAMMABILITY RATING UL 94V-0.
 CONTACTS: PHOSPHOR BRONZE
 PLATING: GOLD PLATING OVER NICKEL IN CONTACT.
 TIN PLATING OVER NICKEL IN SOLDER AREA.
 SHIELD: BRASS PLATING NICKEL ALLOY.

ELECTRICAL:
 CURRENT RATING: 1.5 AMPERES MAX. @ 25°C.
 VOLTAGE RATING: 150 VAC MAX.
 VOLTAGE: 60 VDC.
 DIELECTRIC WITHSTANDING VOLTAGE:
 1000VAC, RMS, 60Hz, 1MIN.
 INSULATION RESISTANCE: 500 MEGOHMS MIN.
 OPERATE TEMPERATURE: 0°C TO 70°C.
 STORAGE TEMPERATURE: -40°C TO 80°C.



BOM NO:
 6u": 3046105606
 15u": 3046105706
 30u": 3046105806
 50u": 3046105906

※凡標註 △ 記號者為品管管制尺寸。

設計 DR. Kathy Chung 2008-03-21	核准 APPD. Jerry 2008-03-21	容許公差 .XXX ±0.10 .XX ±0.25 .X ±0.38 X ±0.50 ANG ±3°	TOLERANCE	品名 ARTICLE 3046S 8P8C JACK W/LED(Y-G)
版本說明 REVISION NOTE 調整 LED 標註方式, 圖面更新版本。				圖號 DWG NO. 3046105606
Wellco T&C Co., Ltd.				單位 UNIT mm
				比例 SCALE 張數 SHEET 版本 REV. 2/1 1/1 E