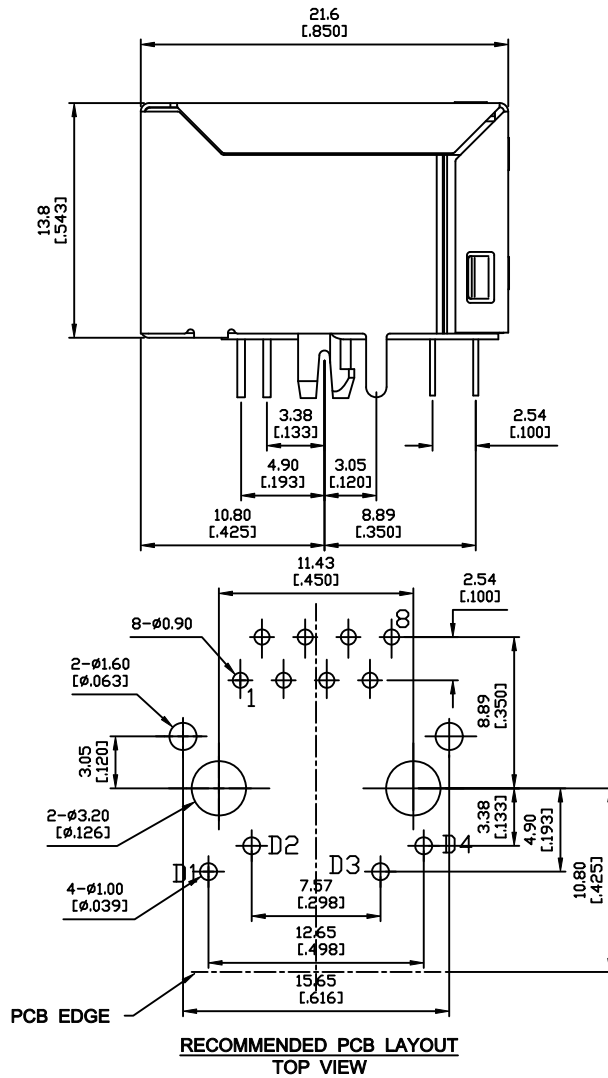
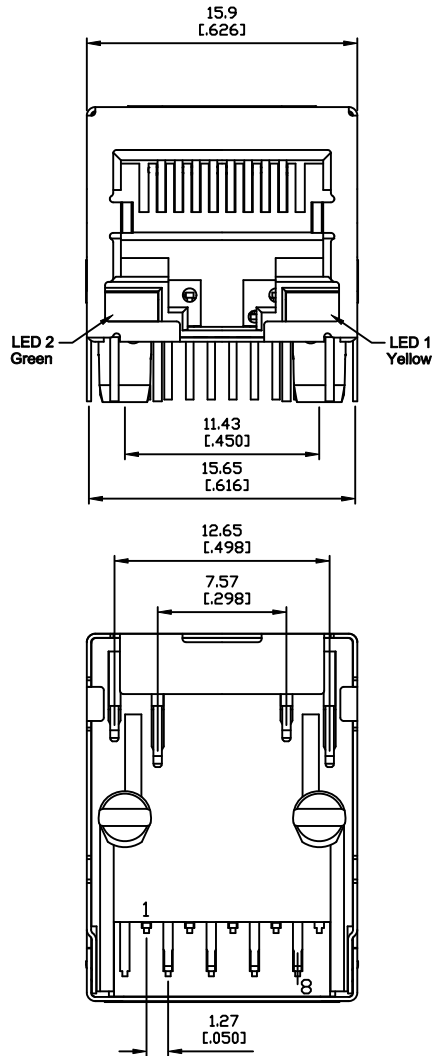


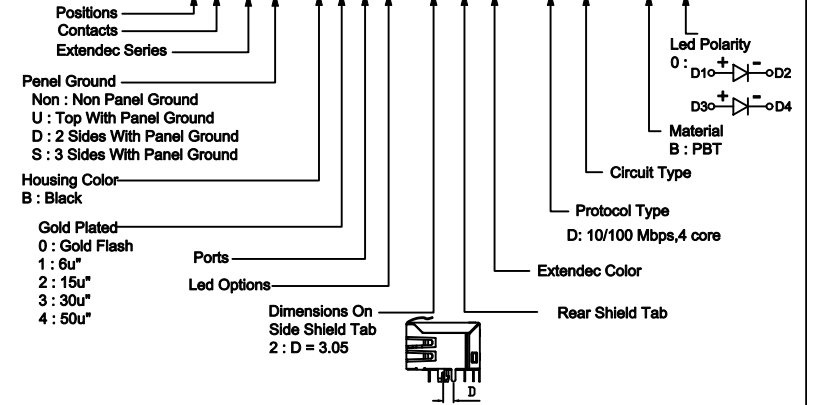
1. MECHANICAL DIMENSIONS:



Material:

- 1.Housing: Thermoplastic UL 94V-0
- 2.Contact : Selective Gold Plating
- 3.Terminal: 0.35mm Thickness Phosphor Bronze Plated With Gold And Tin In Solder Area.
- 4.Shielded: Brass ,Nickel Plating
- 5.Operating Temperature Range : 0°C~70°C

PART NO : 7 5 8 8 A * - B * 1 4 - 2 0 0 0 - D 2 2 - B * B



| ZONE | REV. | DESCRIPTION | DATE | APPD. | FILE NO : 75 (SERIES) | TITLE 圖名 | RJ45 Connector,Shielded, With Led With Transformer, Side Entry PCB Jack | UNIT 單位 | mm inch | |
|------|------|-------------|------|-------|----------------------------------------------------------------------------------------|------------------|-------------------------------------------------------------------------|-------------|----------------|--|
| (A) | | | | | TOLERANCE(公差) : 0.000 mm ± 0.075 mm 0.00 mm ± 0.15 mm 0.0 mm ± 0.25 mm | PART NO. 料號 | 7588A-B*14-2000-D22-B0B | SCALE 比例 | 1:1 | |
| (B) | | | | | | REV. 版本 | A.0 | DATE 日期 | 2010-04-19 | |
| (C) | | | | | | CHECKED BY 審核 | Aaron | | DRAWN BY 製圖 | |
| (D) | | | | | | | | | | |
| (E) | | | | | | | | | | |

Wellco T&C Co., Ltd.

