

Electrical Characteristics :

- Insulation Resistance : 500M Ω Min.
- Contact Resistance : 30m Ω Max.
- Withstand Voltage : 500 VAC 1 minute.
- Current Rating : 1.5A

Material:

Housing : Thermoplastic UL94V-0

Contact : Full Gold Plating

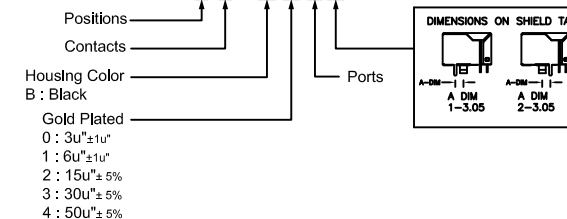
Spring Wire : Dia 0.45mm Phosphor Bronze

Optional Gold Plating Over Nickel

Shield : Brass, Nickel Plating.

CUL File No : E215573

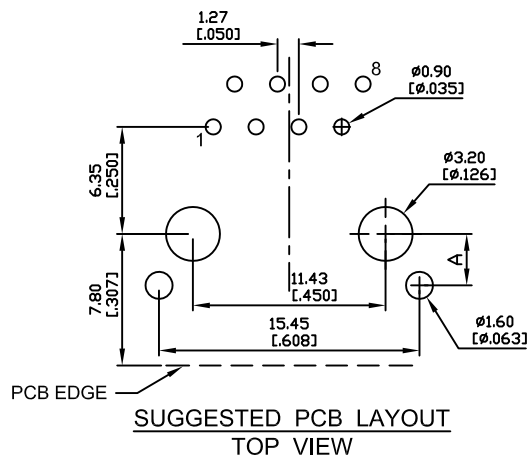
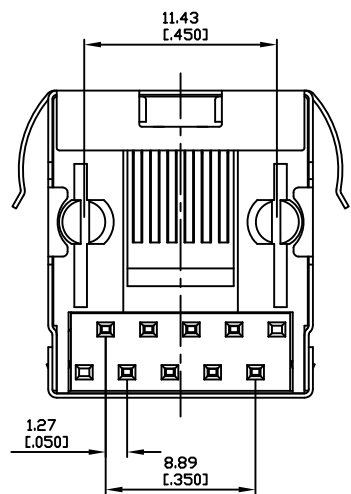
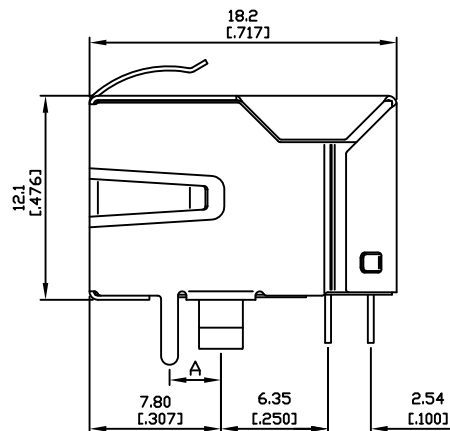
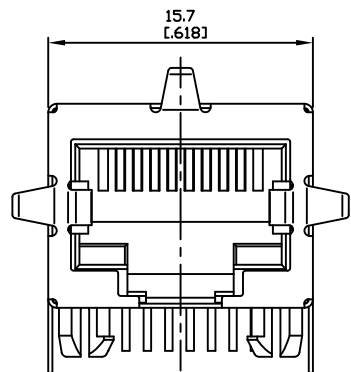
PART NO : 8 5 0 8 - B * 1 *



Wellco T&C Co., Ltd.

ZONE	REV.	DESCRIPTION	DATE	APPD.	FILE NO : 85 (SERIES)
(A)	A.1	尺寸更正為12.2	2007-05-15	Aaron	TOLERANCE (公差) : 0.000 mm ± 0.075 mm 0.00 mm ± 0.15 mm 0.0 mm ± 0.25 mm
(B)					
(C)					
(D)					
(E)					

TITLE	SHIELDED RJ45 SIDE ENTRY PCB JACK		UNIT	mm
圖名			單位	inch
PART NO.	8508-B * 1 *		SCALE	1 : 1
料號			比例	
REV.	A.1	DATE	2007-01-16	
版本		日期		
CHECKED BY	Michael		DRAWN BY	Valiant
審核			製圖	



Electrical Characteristics :

- Insulation Resistance : 500MΩ Min.
- Contact Resistance : 50mΩ Max.
- Withstand Voltage : 500 VAC 1 minute.
- Current Rating : 1.5A

Material:

Housing: Thermoplastic UL 94V-0

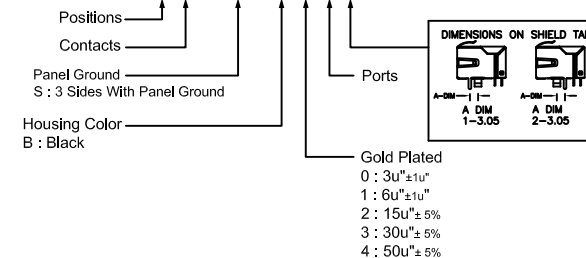
Contact : Selective Gold Plating

Terminal: 0.35mm Thickness Phosphor Bronze
Plated With Gold And Tin In Solder Area.

Shielded: Brass ,Nickel Plating

CUL File No : E215573

PART NO : 8 5 0 8 C S - B * 1 *



Wellco T&C Co., Ltd.

ZONE	REV.	DESCRIPTION	DATE	APPD.	FILE NO : 85 (SERIES)
Ⓐ					TOLERANCE (公差) : 0.000 mm ± 0.075 mm 0.00 mm ± 0.15 mm 0.0 mm ± 0.25 mm
Ⓑ					
Ⓒ					
Ⓓ					
Ⓔ					

TITLE 圖名	SHIELDED RJ45 SIDE ENTRY PCB JACK		UNIT 單位	mm inch
PART NO. 料號	8508CS-B * 1 *		SCALE 比例	1 : 1
REV. 版本	A.0	DATE 日期	2007-04-03	
CHECKED BY 審核	Michael		DRAWN BY 製圖	David