

**Electrical Characteristics :**

- Insulation Resistance : 500MΩ Min.
- Contact Resistance : 30mΩ Max.
- Withstand Voltage : 500 VAC 1 minute.
- Current Rating : 1.5A

**Material:**

Housing : Thermoplastic UL94V-0

Contact : Full Gold Plating

Spring Wire : Dia 0.45mm Phosphor Bronze

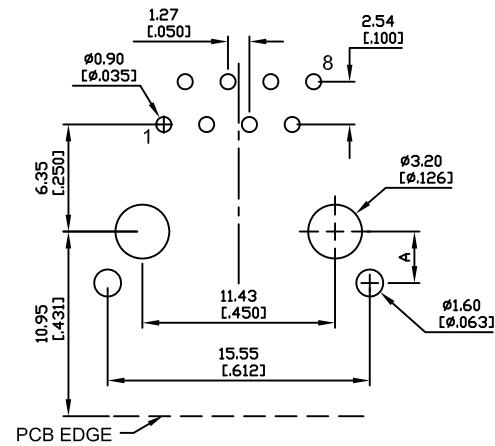
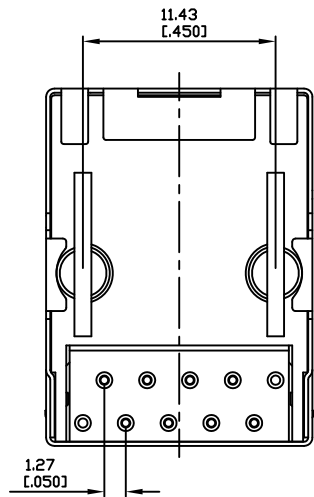
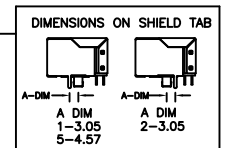
Optional Gold Plating Over Nickel

Shield : Brass, Nickel Plating.

CUL File No : E215573

**PART NO : 8 2 0 8 - B \* 1 \***

- Positions
- Contacts
- Housing Color  
B : Black
- Gold Plated  
0 : 3u"±1u"  
1 : 6u"±1u"  
2 : 15u"±5%  
3 : 30u"±5%  
4 : 50u"±5%
- Ports

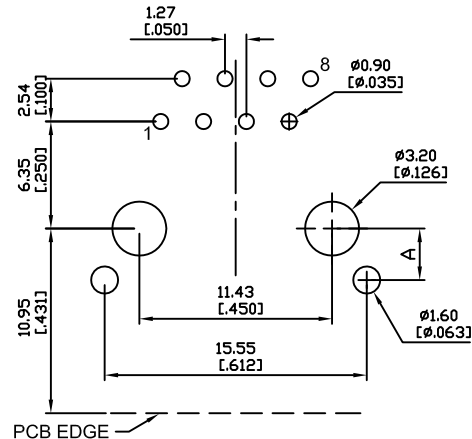
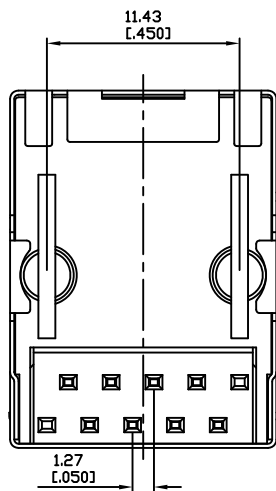
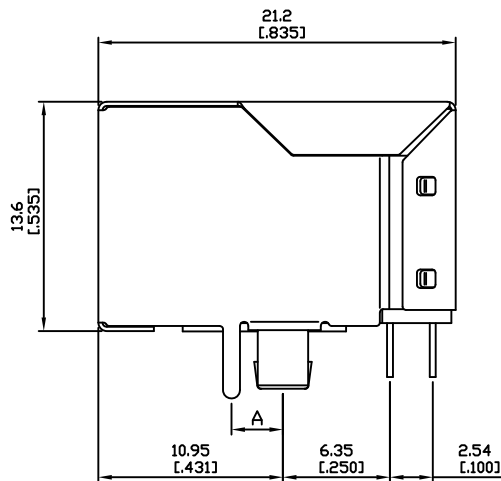
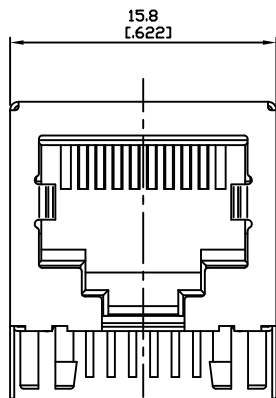


**SUGGESTED PCB LAYOUT  
TOP VIEW**

# Wellco T&C Co., Ltd.

ZONE	REV.	DESCRIPTION	DATE	APPD.	FILE NO : 82 (SERIES)
(A)					TOLERANCE (公差) : 0.000 mm ± 0.075 mm 0.00 mm ± 0.15 mm 0.0 mm ± 0.25 mm
(B)					
(C)					
(D)					
(E)					

TITLE 圖名		SHIELDED RJ45 SIDE ENTRY PCB JACK		UNIT 單位	mm inch
PART NO. 料號		8208-B * 1 *		SCALE 比例	1 : 1
REV. 版本	A.0	DATE 日期	2007-01-23		
CHECKED BY 審核	Michael	DRAWN BY 製圖	Valiant		



SUGGESTED PCB LAYOUT  
TOP VIEW

Electrical Characteristics :

- Insulation Resistance : 500M $\Omega$  Min.
- Contact Resistance : 50m $\Omega$  Max.
- Withstand Voltage : 500 VAC 1 minute.
- Current Rating : 1.5A

Material:

Housing: Thermoplastic UL 94V-0

Contact : Selective Gold Plating

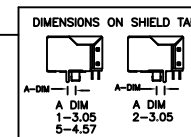
Terminal: 0.35mm Thickness Phosphor Bronze  
Plated With Gold And Tin In Solder Area.

Shielded: Brass ,Nickel Plating

CUL File No : E215573

PART NO : 8 2 0 8 C - B \* 1 \*

Positions  
Contacts  
Housing Color  
B : Black  
Ports



Gold Plated  
0 : 3u" $\pm 1u$ "  
1 : 6u" $\pm 1u$ "  
2 : 15u" $\pm 5\%$   
3 : 30u" $\pm 5\%$   
4 : 50u" $\pm 5\%$

# Wellco T&C Co., Ltd.

ZONE	REV.	DESCRIPTION	DATE	APPD.	FILE NO : 82 (SERIES)
(A)					TOLERANCE (公差) : 0.000 mm $\pm$ 0.075 mm 0.00 mm $\pm$ 0.15 mm 0.0 mm $\pm$ 0.25 mm
(B)					
(C)					
(D)					
(E)					

TITLE 圖名	SHIELDED RJ45 SIDE ENTRY PCB JACK		UNIT 單位	mm inch
PART NO. 料號	8208C-B*1*		SCALE 比例	1:1
REV. 版本	A.0	DATE 日期	2007-04-09	
CHECKED BY 審核	Michael		DRAWN BY 製圖	David