

Electrical Characteristics :

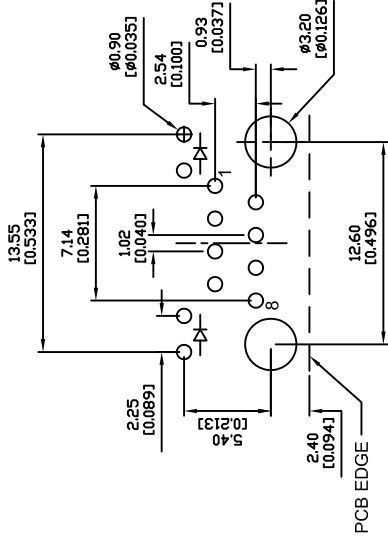
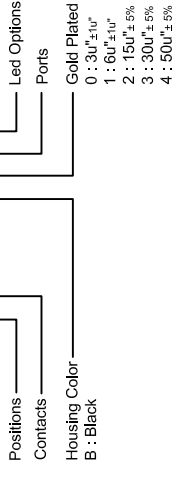
- Insulation Resistance : 500MΩ Min.
- Contact Resistance : 50mΩ Max.
- Withstand Voltage : 500 VAC 1 minute.
- Current Rating : 1.5A

Material:

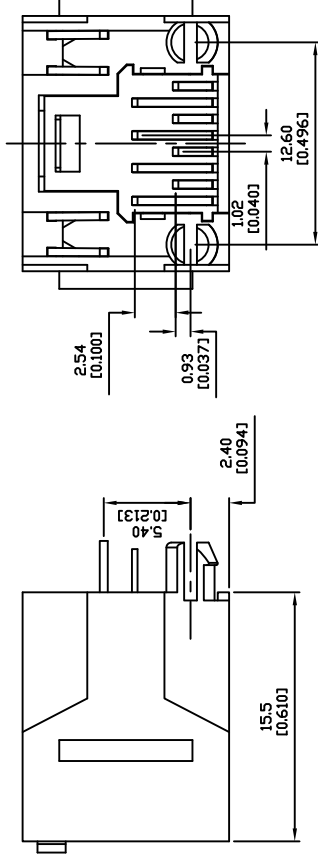
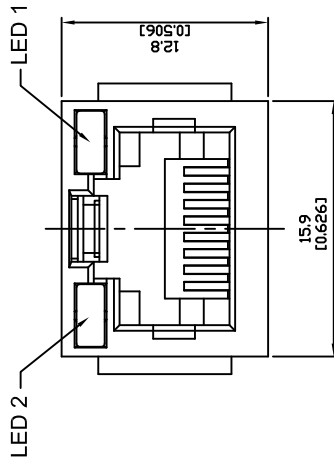
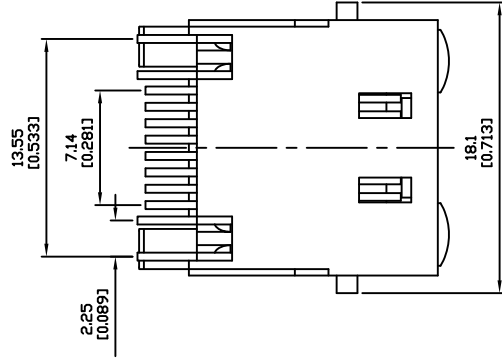
Housing: Thermoplastic UL 94V-0
 Contact : Selective Gold Plating
 Terminal: 0.35mm Thickness Phosphor Bronze
 Plated With Gold And Tin In Solder Area.

CUL File No : E215573

PART NO : 8 1 8 P N - B * 1 *



SUGGESTED PCB LAYOUT
TOP VIEW



LED Color Options Table

LED Color Options		LED DASH OPTION	
LED 2 (Left)	LED 1 (Right)		
No LED	No LED		0
Yellow	Green		1
No LED	Green		2
Yellow	No LED		3
Green	Yellow		4
Yellow	Green		5
Orange/Green	Yellow		6
Yellow/Green	Orange/Green		7
Orange/Green	Yellow/Green		8
No LED	Green/Yellow		Z
Green	Orange		A
Orange	Green		B
Green	Red		C
Red	Green		D

Wellco T&C Co., Ltd.

TITLE 圖名	NON - SHIELDED RJ45 TOP ENTRY PCB JACK WITH LED		UNIT 單位	mm inch
PART NO. 料號	8188PN-B * 1 *		SCALE 比例	1:1
REV. 版本	A.0	DATE 日期	2007-08-13	
CHECKED BY 審核	Michael	DRAWN BY 製圖	Connie	

FILE NO : 81P (SERIES)	APPD.	DATE	DESCRIPTION	REV.	ZONE
TOLERANCE (公差): 0.000 mm ± 0.075mm 0.00 mm ± 0.15mm 0.0 mm ± 0.25mm					(A) (B) (C) (D) (E)