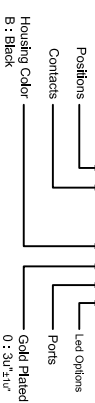


- Electrical Characteristics :
- Insulation Resistance : 500MΩ Min.
 - Contact Resistance : 30mΩ Max.
 - Withstand Voltage : 500 VAC 1 minute.
 - Current Rating : 1.5A

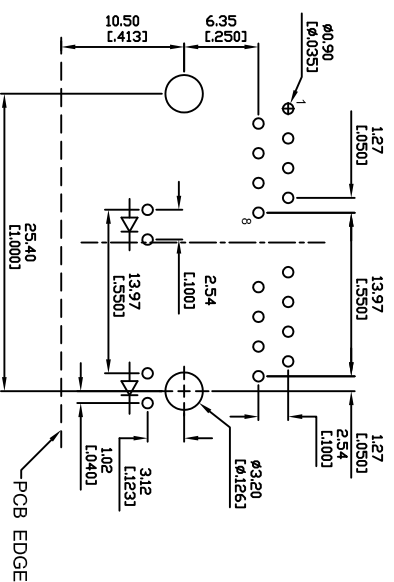
Material:
 Housing : Thermoplastic UL94V-0
 Contact : Full Gold Plating
 Spring Wire : Dia 0.45mm Phosphor Bronze
 Optional Gold Plating Over Nickel
 CUL File No : E215573

PART NO : 8108N-B*2*

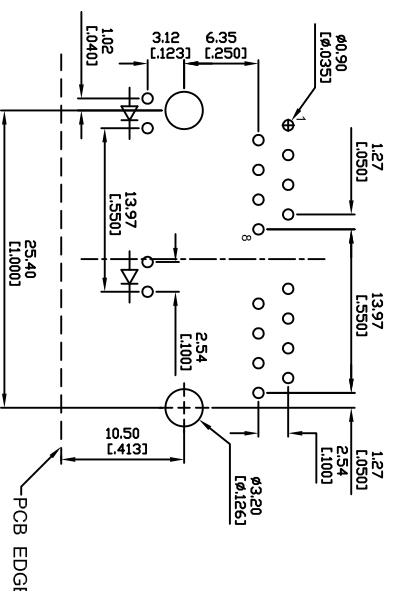


LED Color Options Table

LED Color Options	LED 1(RIGHT)	LED 2(LEFT)	LED DASH OPTION
Blocked	Green	Blocked	1
Blocked	Yellow	Blocked	2
Blocked	Orange	Blocked	3
Blocked	Red	Blocked	4
Blocked	Yellow / Green	Blocked	5
Blocked	Orange / Green	Blocked	6
Green	Blocked	Blocked	7
Yellow	Blocked	Blocked	8
Orange	Blocked	Blocked	9
Red	Blocked	Blocked	A
Yellow / Green	Blocked	Blocked	B
Orange / Green	Blocked	Blocked	C



SUGGESTED PCB LAYOUT
(RIGHT LED)TOP VIEW



SUGGESTED PCB LAYOUT
(LEFT LED)TOP VIEW

Wellco T&C Co., Ltd.

ZONE	REV.	DESCRIPTION	DATE	APPD.	FILE NO : 81 (SERIES)	TOLERANCE (公差) :
(A)						0.000 mm ± 0.075mm
(B)						0.00 mm ± 0.15mm
(C)						0.0 mm ± 0.25mm
(D)						
(E)						

TITLE	NON-SHIELDED RJ45	SIZE
圖名	SIDE ENTRY PCB JACK	圖紙 A4
DWG NO.	8108N-B*2*	UNIT 單位 mm
REV. 圖號	A	SCALE 比例 1:1
版本	DATE 日期 2007-10-01	
CHECKED BY 審核	Aaron	DRAWN BY 製圖 Michael

