

- Electrical Characteristics :**
- Insulation Resistance : 500MΩ Min.
  - Contact Resistance : 50mΩ Max.
  - Withstand Voltage : 500 VAC 1 minute.
  - Current Rating : 1.5A

**Material:**

Housing: Thermoplastic UL 94V-0

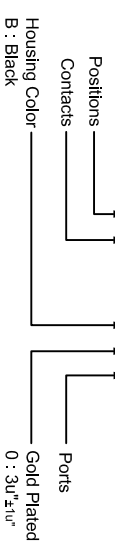
Contact : Selective Gold Plating

Terminal: 0.35mm Thickness Phosphor Bronze

Plated With Gold And Tin In Solder Area.

CUL File No : E215573

**PART NO : 5 3 8 8 C - B \* 1**

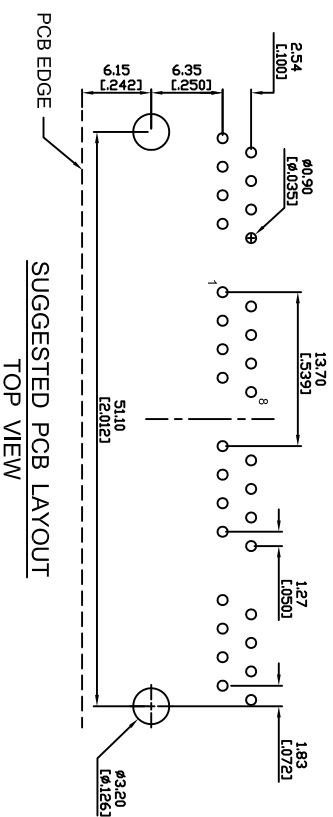
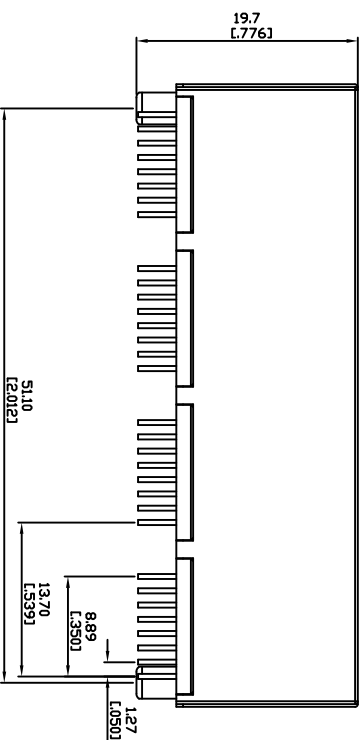
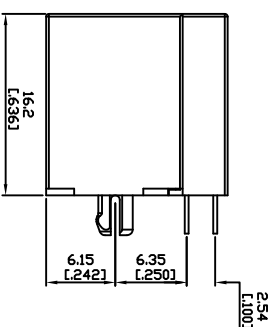
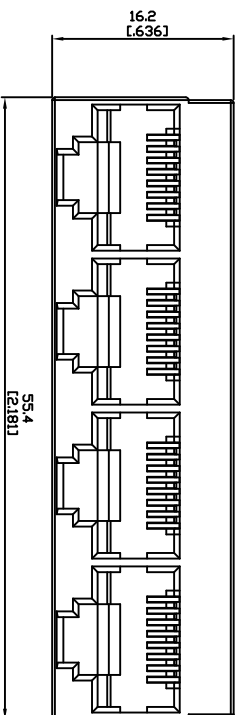
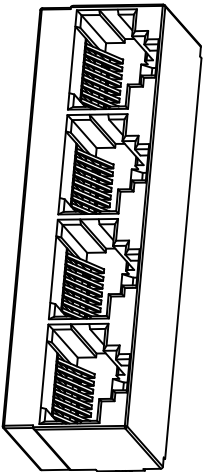


- 0 : 3u" ±1u"
- 1 : 6u" ±1u"
- 2 : 15u" ±5%
- 3 : 30u" ±5%
- 4 : 50u" ±5%

**Wellco T&C Co., Ltd.**

ZONE	REV.	DESCRIPTION	DATE	APPD.	FILE NO : 5388C (SERIES)
(A)					<b>TOLERANCE (公差) :</b> 0.000 mm ± 0.075 mm 0.00 mm ± 0.15 mm 0.0 mm ± 0.25 mm
(B)					
(C)					
(D)					
(E)					

TITLE	NON SHIELDED RJ45 TOP ENTRY PCB JACK	UNIT	mm
圖名		單位	inch
PART NO.	5388C-B*1	SCALE	1:1
料號		比例	
REV. 版本	A.0	DATE 日期	2007-12-13
CHECKED BY 審核	Michael	DRAWN BY 製圖	David



- Electrical Characteristics :**
- Insulation Resistance : 500MΩ Min.
  - Contact Resistance : 50mΩ Max.
  - Withstand Voltage : 500 VAC 1 minute.
  - Current Rating : 1.5A
- Material:**
- Housing: Thermoplastic UL 94V-0
  - Contact : Selective Gold Plating
  - Terminal: 0.35mm Thickness Phosphor Bronze Plated With Gold And Tin In Solder Area.
- CUL File No : E215573**
- PART NO : 5 3 8 8 C - B \* 4**
- Positions
  - Contacts
  - Ports
  - Gold Plated
  - Housing Color
  - B : Black
- 0 : 30V ±10%
  - 1 : 60V ±10%
  - 2 : 150V ±5%
  - 3 : 300V ±5%
  - 4 : 500V ±5%

**Wellco T&C Co., Ltd.**

ZONE	REV.	DESCRIPTION	DATE	APPD.	FILE NO : 5388C (SERIES)	TOLERANCE (公差) :
(A)						0.000 mm ± 0.075 mm
(B)						0.00 mm ± 0.15 mm
(C)						0.0 mm ± 0.25 mm
(D)						
(E)						

TITLE	NON-SHIELDED RJ45 TOP ENTRY PCB JACK	UNIT	mm
圖名		單位	inch
PART NO.	5388C-B*4	SCALE	1:1
料號		比例	
REV.	A.0	DATE	2007-12-07
版本			
CHECKED BY	Michael	DRAWN BY	David
審核		製圖	