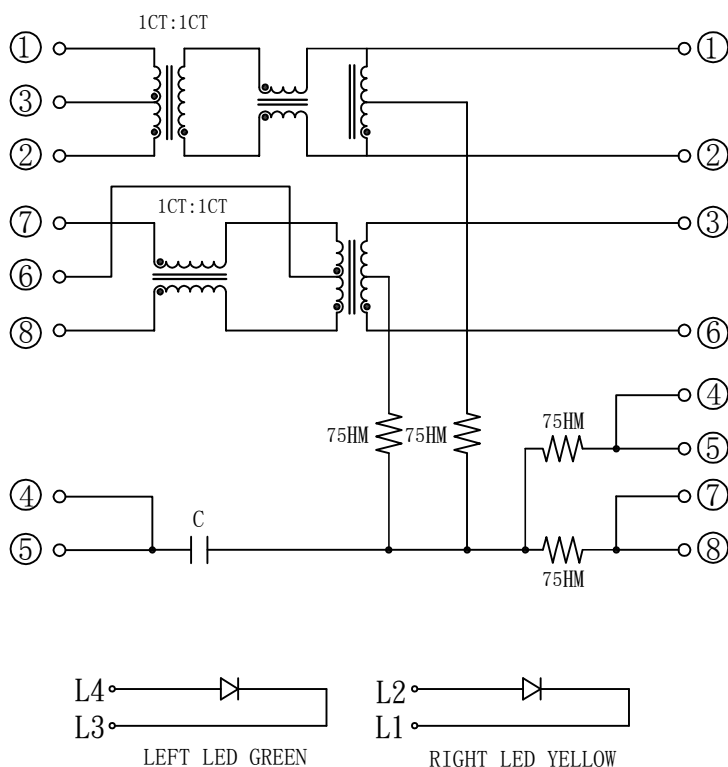




2 ELECTRICAL



ELECTRICAL SPECIFICATIONS

All test conditions at 25°C unless otherwise noted.

- 1.0 INSERTION LOSS: 1-100MHZ-1.0dB MAX
- 2.0 RETURN LOSS: 1MHZ TO 30MHZ : -18dB MIN
 30MHZ TO 60MHZ : -12dB MIN
 60MHZ TO 80MHZ : -10dB MIN
- 3.0. CROSSTALK: 1MHZ TO 30MHZ : -40dB MIN
 30MHZ TO 60MHZ : -35dB MIN
 60MHZ TO 80MHZ : -30dB MIN
- 4.0. CMR: 1-50MHZ-30dB MIN
 50-150MHZ-20dB MIN
- 5.0 HIPOT: 1500V AC 6S 1mA
- 6.0 OCL: 350UH MIN @ 100KHZ 100MV 8MA DC
- 7.0 DCR: COIL RESISTANCE 1.5\$ MAX
 C=1000PF 25%, R=(75+75)\$ 25%

ORDER INFORMATION:

SK01- 11 1 001D NL -(Y/N)
 A B C D E F

- A: IT STANDS FOR THE RJ45 DESIGNER: SUCH AS SK OR OTHER, 01 OR 02 STANDS FOR AS FOLLOING:
 01=TAB UP, 02=TAB DOWN.
- B: THE PARTS ARE SINGLE OR MULTI-PORTS: SUCH AS SK01-11XXXX, IT MEANS 1X1 SINGLE PORT, SK01-21XXXX, MEANS 2X1 OR 1X2, IT IS A DUAL PORTS RJ45 FILTERED CONNECTOR. "G" THE MEAN IS 1000BASE REQUIREMENT.
- C: TELLS IT IS A LEDS VERSION OR NOT, "1" MEANS WITH LEDS, "0" OR ELSE IS WITHOUT LEDS.
- D: IT STANDS FOR THE PARTS'S SERIES NO.
- E: NL=ROHS COMPLAINT.
- F: CONTACT PLATING CODE: NORMAL TYPE IS NO MARK, IT STANDS THANDS THE CONTACT AREA OF CONTACT PIN IS 6U" GOID PIATNG. MORE THAN 6U" NEED MARK 15 OR 30 OR 50. ETC.

Wellco T&C Co., Ltd.

TITLE: 10/100 BASET 1x1
 TAB-UP RJ45 WITH LED

APPROVALS		Date	Page	PART NO:	
DRAWN BY:	LongZou	2010.12.08		2	SK01-111001DNL
PROJ. ENG:	SkyGuo	2010.12.08	Total		REV: C
APPROVED BY:	Billy			2	