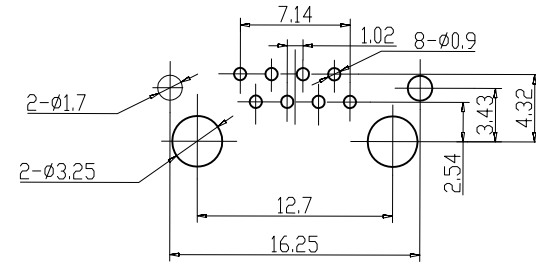
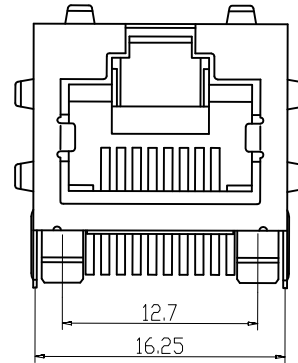
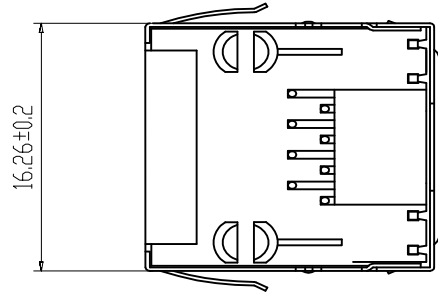
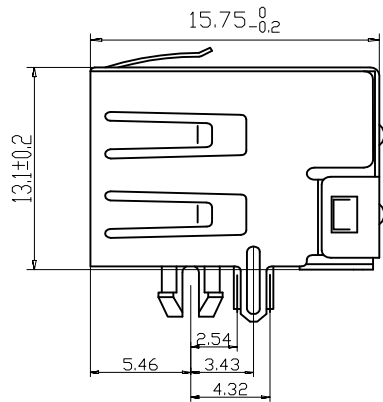


RoHS Compliant

itr	ecr no.	dr	description	date
1	-	minnie	original version	09/02/2009



PCB LAYOUT



Feature:

1. Insulation Resistance: 500MΩ Min@500V DC
2. Withstanding Voltage: AC 1000V 50HZ or 60HZ min.
3. Durability: 600 Mating Circles Min
4. Gold plating: (3;6;15;30;50)U"

linear	X.X	±0.25		Wellco T&C Co., Ltd.			
	X.XX	±0.20					
	X.XXX	±0.10					
angles	X°	±3°		title RJ 565 8P8C-1x1 EMI			
dr	Minnie	09/02/2009					
chr	Warren	09/02/2009	scale	size	dwg no	Part no	sheet
appd	Warren	09/02/2009	1:1	A4	E-11600-XXX	11600-208XXX	1/1