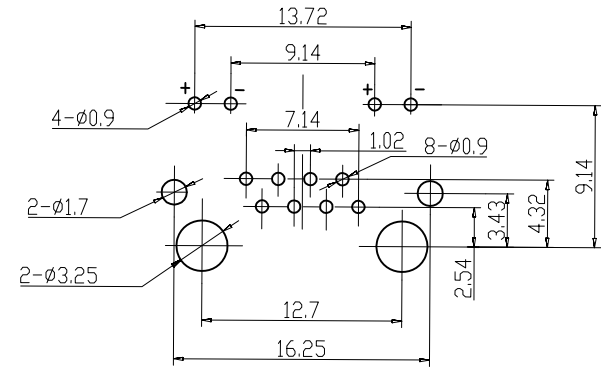
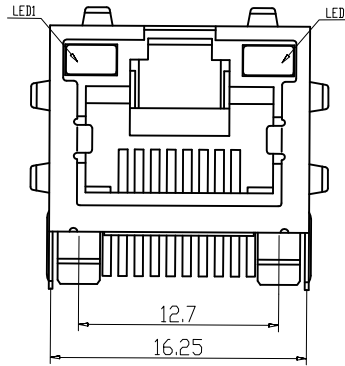
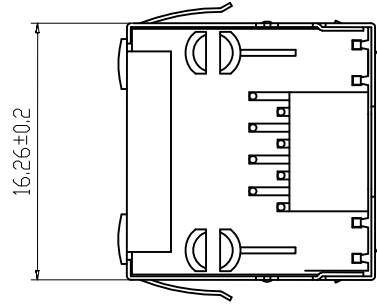
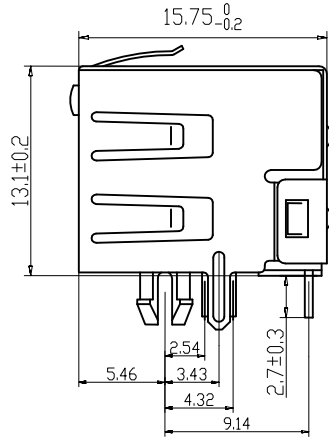


RoHS Compliant

itr	ecr no.	dr	description	date
1	-	minnie	original version	09/02/2009



PCB LAYOUT



Feature:

1. Insulation Resistance: 500MΩ Min@500V DC
2. Withstanding Voltage: AC 1000V 50HZ or 60HZ min.
3. Durability: 600 Mating Circles Min
4. Gold plating: (3;6;15;30;50)U"

linear	X.X	±0.25	projection		<b>Wellco T&amp;C Co., Ltd.</b> title RJ 565-LED 8P8C-1x1 EMI			
	X.XX	±0.20						
	X.XXX	±0.10						
angles	X°	±3°	unit	MM	dwg no E-11600-XXX Part no 11600-208XXX sheet 1/1			
	dr	Minnie						
chr	Warren	09/02/2009	scale	size				
appd	Warren	09/02/2009	1:1	A4				