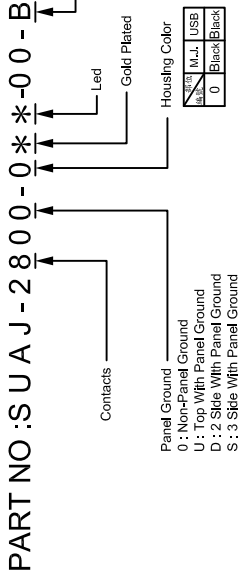


Electrical Characteristics :

- Insulation Resistance : 500MΩ Min.
- Contact Resistance : 50mΩ Max.
- Withstand Voltage : 500 VAC 1 minute.
- Current Rating : 1.5A

Material:

Housing : Thermoplastic UL94V-0
 Contact : 0.35mm Thickness Selective Gold Plating
 Terminal: 0.35mm Thickness Phosphor Bronze
 Plated With Gold And Tin In Solder Area.
 Shielded : SUS
 Shielded Cover : Brass , Nickel Plating.



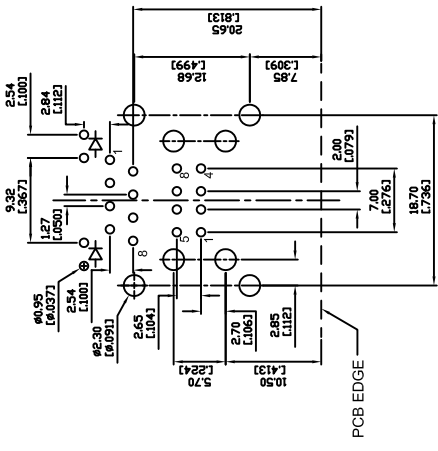
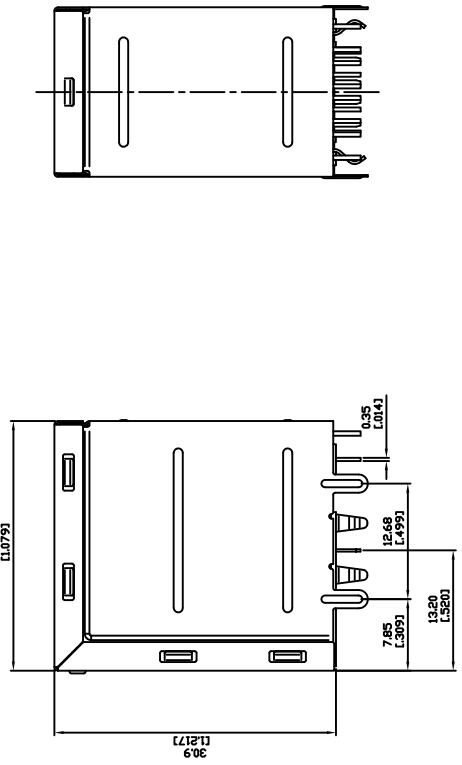
PART NO : S U A J - 2 8 0 0 - 0 * * - 0 0 - B

LED Color Options Table

LED 2 (Left)	LED 1 (Right)	LED DASH OPTION
No LED	No LED	0
Yellow	Green	1
No LED	Green	2
Yellow	No LED	3
Green	Yellow	4
Green	Green	5
Yellow	Yellow	6
Orange / Green	Orange / Green	7
Yellow / Green	Yellow / Green	8
Orange / Green	Yellow	9

Gold Plated

規格	M.J.	USB
0	3u"±1u"	
1	6u"±1u"	1,1
2	15u"±5%	(3u"±1u")
3	30u"±5%	
4	50u"±5%	
5	3u"±1u"	
6	6u"±1u"	2,0
7	15u"±5%	(30u"±5%)
8	30u"±5%	
9	50u"±5%	



SUGGESTED PCB LAYOUT TOP VIEW

Wellco T&C Co., Ltd.

TITLE 圖名	RJ45 / DUAL USB Combo	UNIT 單位	mm inch
PART NO. 料號	SUAJ-2800-0 * * -00-B	SCALE 比例	1 : 1
REV. 版本	A.0	DATE 日期	2007-10-18
CHECKED BY 審核	Aaron	DRAWN BY 製圖	Michael

ZONE	REV.	DESCRIPTION	DATE	APPD.	FILE NO : SUAJ (SERIES)
(A)					TOLERANCE(公差) :
(B)					0.000 mm ± 0.075 mm
(C)					0.00 mm ± 0.15 mm
(D)					0.0 mm ± 0.25 mm
(E)					