

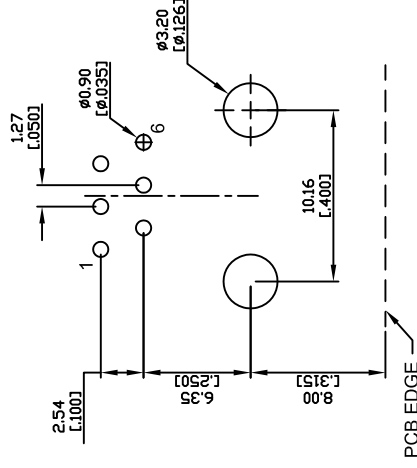
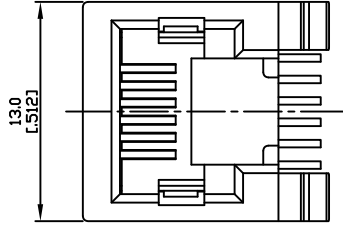
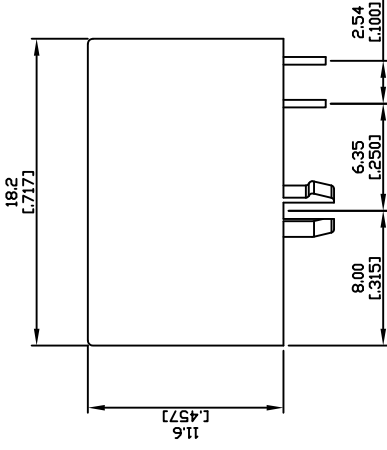
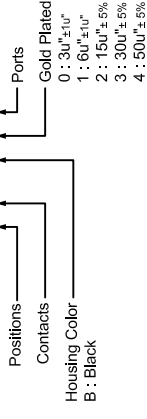
Electrical Characteristics :

- Insulation Resistance : 500MΩ Min.
- Contact Resistance : 30mΩ Max.
- Withstand Voltage : 500 VAC 1 minute.
- Current Rating : 1.5A

Material:

Housing : Thermoplastic UL94V-0
 Contact : Full Gold Plating
 Spring Wire : Dia 0.45mm Phosphor Bronze
 Optional Gold Plating Over Nickel
 CUL File No : E215573

PART NO : 8 5 6 6 - B * 1



SUGGESTED PCB LAYOUT
 TOP VIEW

Wellco T&C Co., Ltd.

TITLE 圖名	SIDE ENTRY RJ11 NON SHIELDED	UNIT 單位	mm inch
PART NO. 料號	8566-B * 1	SCALE 比例	1 : 1
REV. 版本	A.0	DATE 日期	2007-07-09
CHECKED BY 審核	Michael	DRAWN BY 製圖	Michael

ZONE	REV.	DESCRIPTION	DATE	APPD.	FILE NO : 85 (SERIES)
(A)					TOLERANCE (公差) : 0.00 mm ± 0.075 mm 0.00 mm ± 0.15 mm 0.0 mm ± 0.25 mm
(B)					
(C)					
(D)					
(E)					