

Electrical Characteristics :

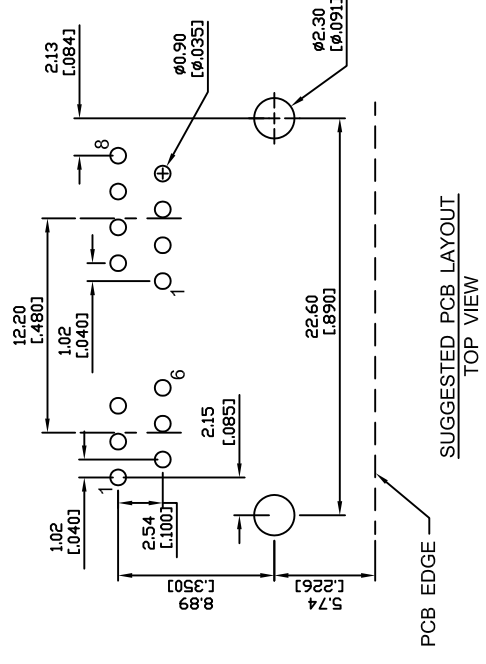
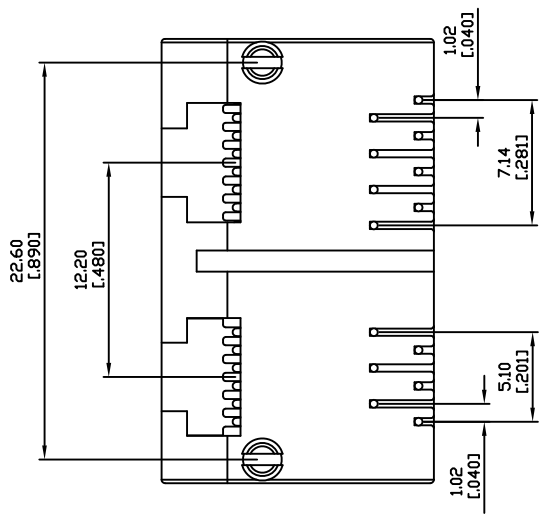
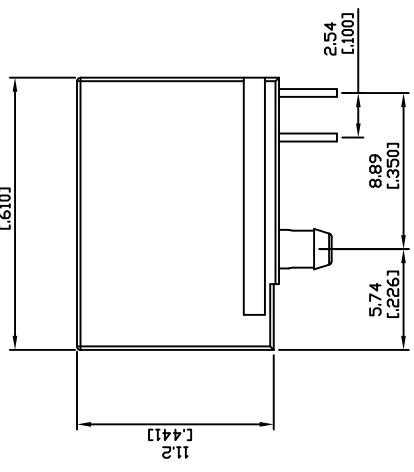
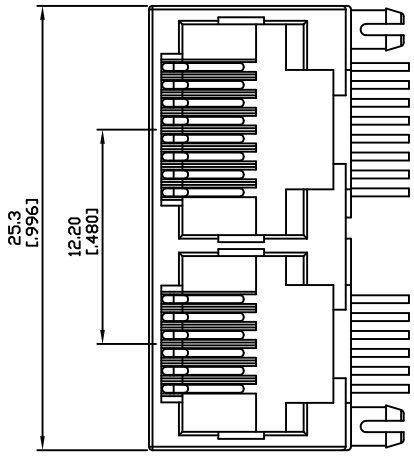
- Insulation Resistance : 500MΩ Min.
- Contact Resistance : 30mΩ Max.
- Withstand Voltage : 500 VAC 1 minute.
- Current Rating : 1.5A

Material:
Housing : Thermoplastic UL94V-0
Contact : Full Gold Plating
Spring Wire : Dia 0.45mm Phosphor Bronze
Optional Gold Plating Over Nickel
CUL File No : E215573

PART NO : 7 0 6 8 - B * 2

RJ11 Positions
RJ45 Positions
Housing Color
B : Black

Ports
Gold Plated
0 : 30^u±1^u"
1 : 60^u±1^u"
2 : 150^u±5^u"
3 : 300^u±5^u"
4 : 500^u±5^u"



Wellco T&C Co., Ltd.		UNIT 單位	mm inch
TITLE 圖名	NON-SHIELDED RJ11&RJ45 SIDE ENTRY PCB JACK	SCALE 比例	1:1
PART NO. 料號	7068-B*2	DRAWN BY 製圖	David
REV. 版本	A.0		
CHECKED BY 審核	Michael	DRAWN BY	

ZONE	REV.	DESCRIPTION	DATE	APPD.	FILE NO : 52 (SERIES)
(A)					TOLERANCE(公差) :
(B)					0.000 mm ± 0.075 mm
(C)					0.00 mm ± 0.15 mm
(D)					0.0 mm ± 0.25 mm
(E)					