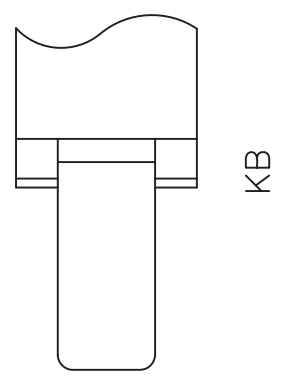
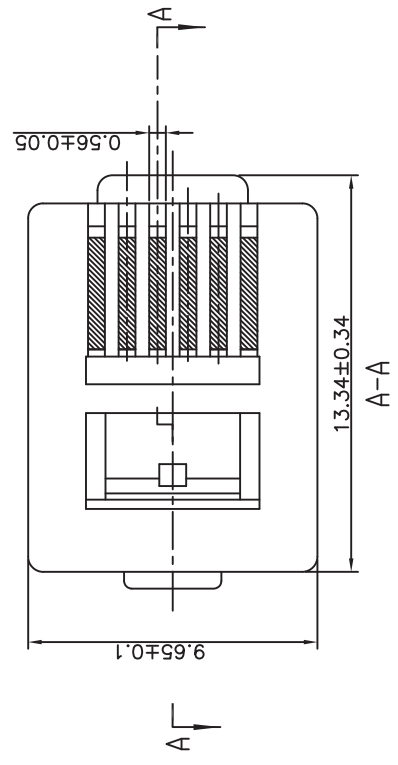
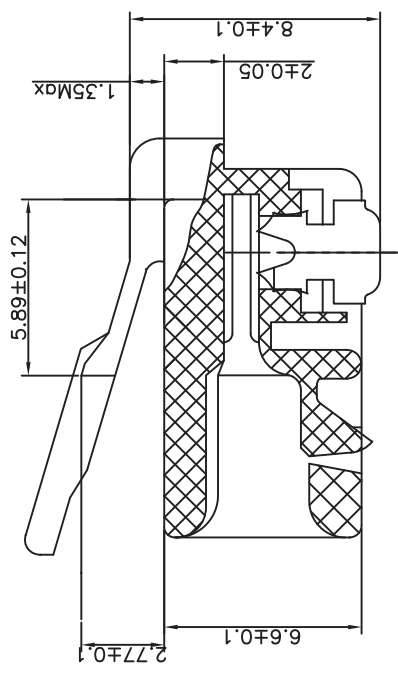
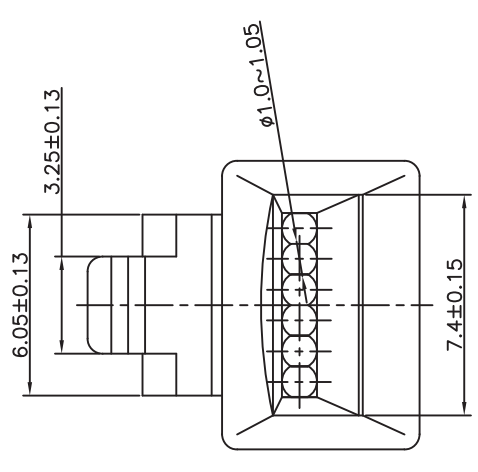


REVISION RECORD				
REV	ECO	DESCRIPTION	DRFT	CHKD



Specification

1. Insulation Resistance: 1000 Megohms min.
2. Withstand Voltage: 1000V, AC/minute.
3. Durability: 750 mating circles min.



DFTO:		DAI	TE:
CHKD:		DATE:	DATE:
MFO:		DATE:	DATE:
APPLY:		DATE:	DATE:
MATERIAL:			
Q'TY:			
FINISH:			
SCALE: 2:1			

Tolerance Except as Noted		mm	
0±0.2		mm	
00±0.15		mm	
000±0.075		mm	
ANGLES ± 0.5		mm	

DRAWING NO.		REV	
PART NO.		06/05/02	
DO NOT SCALE DRAWING		0	
SHEET		OF	

Wellco T&C Co., Ltd.

YL-037E 6P6C

DETACHED LISTS