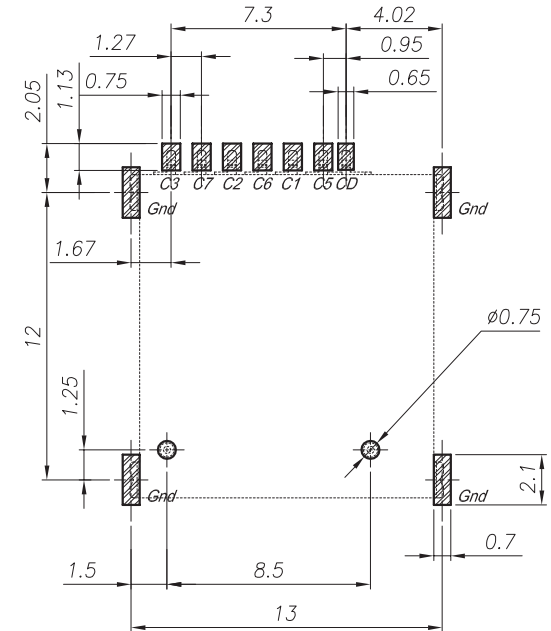
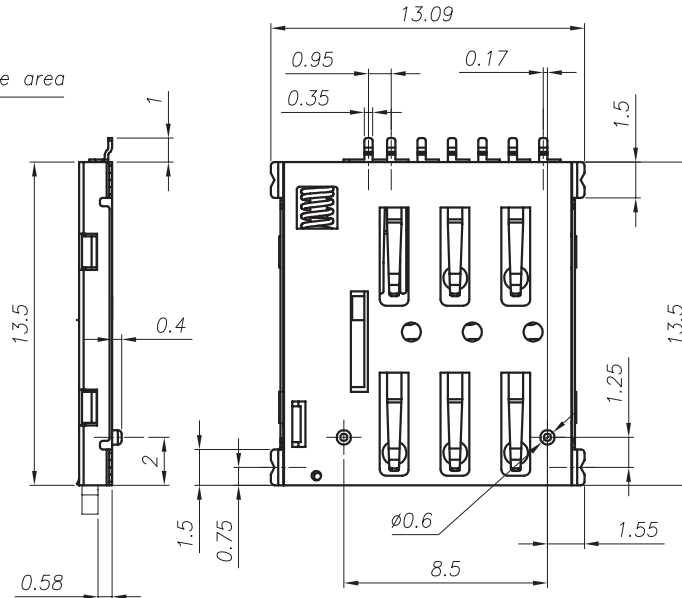
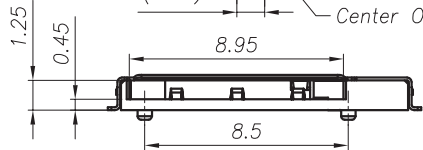
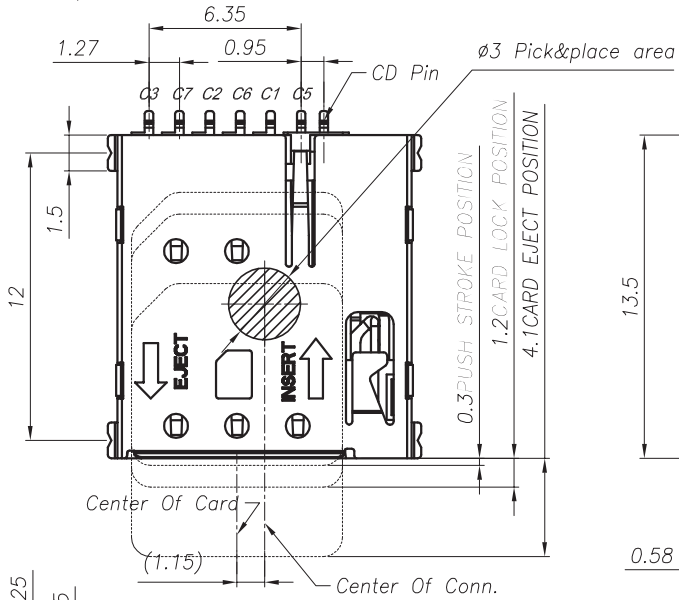
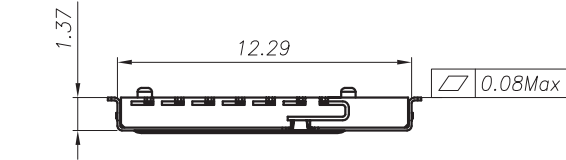
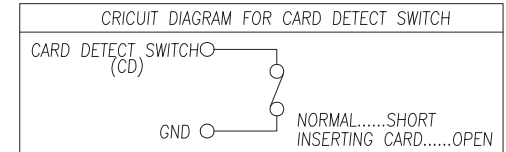


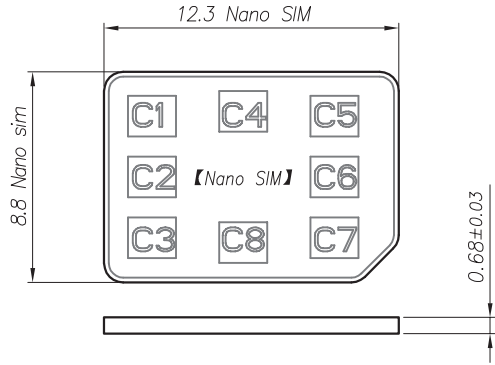
REV.	ECN NO OR DESCRIPTION	REVISED	DATE
▽	PROPOSE ONLY	ALLEN	2015.04.03



Recommended PCB Layout
(General tolerance:±0.05)

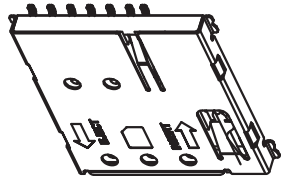


- NOTES:
1. COPLANARY SPEC. FOR ALL SOLDER TAILS AND SOLDER PADS IS 0.08mm MAX.
 2. ELECTRICAL CHARACTERISTICS:
 - 2-1. CURRENT RATING: 0.5 Amp. MAX.
 - 2-2. VOLTAGE: 100V DC. MAX.
 - 2-3. LOW LEVEL CONTACT RESISTANCE: 100 mOhms MAX. INITIALLY.
 - 2-4. DIELECTRIC WITHSTANDING VOLTAGE: 500V AC MIN. FOR 1 MINUTE.
 - 2-5. INSULATION RESISTANCE: (INITIAL) 1000MOhms MIN.. (FINAL) 100MOhms MIN.
 3. MECHANICAL CHARACTERISTICS:
 - 3-1. DURABILITY: 5000 CYCLES.
 - 3-2. OPERATING TEMP. RANGE: -25°C TO 85°C. [INCLUDING TERMINAL TEMP. RISE]
 - 3-3. STORAGE TEMP.: -40°C TO 85°C.



【 SIM Card Pin Assignments 】

PIN	Name
C1	Vcc
C2	RST
C3	CLK
C4	Reserved
C5	GND
C6	Vpp
C7	I/O
C8	Reserved



NO.	PART NAME	Q'TY	DESCRIPTION	NOTE
⑥	TERMINAL	6	C5210-EH,T=0.12	Au 1u" PLATING
⑤	HOUSING	1	LCP+GF30%	BLACK
④	SLIDER	1	THERMAL PLASTIC	BLACK
③	SPRING	1	SUS301-EH	
②	CAM FOLLOWER	1	SUS301-EH	
①	SHELL	1	SUS304-H,T=0.12	AU/Ni PLATING

UNLESS OTHERWISE SPECIFIED TOLERANCES

DECIMALS:	ANGLES:
X :±0.5	X :±2°
X.X :±0.20	X.X :±1°
X.XX :±0.10	

Wellco T&C Co., Ltd.

TITLE	6Pin 1.37H PUSH PUSH Nano SIM CARD CONN.			
DWN	ALLEN	PART NO. NS1PP-140006-01GT		
CHKD	KEVIN	SCALE:1:1	UNIT: mm	
APVD	ERIC.W	SIZE: A3	SHEET:1OF 1	REV: A1

CUSTOMER COPY

7. PART No.:
NS 1 PP - 14 00 06- 01 GT
Nano SIM CON. 1=WITH POST 01=Product Order
PP=PUSH Type. Pin NO. 6=6Pin
14:HEIGHT 1.37mm 00=NORMAL TYPE.(ON PCB)
GT=With Detect