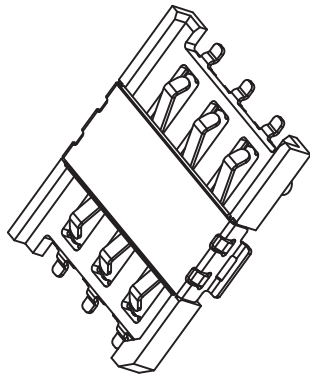


Nano-SIM CARD	
Pin No.	NAME
C1	VCC
C2	RST
C3	CLK
C5	GND
C6	VPP
C7	I/O



RECOMMENDED P.C.B LAYOUT  
COMPONENT SIDE(TOLERANCE ±0.05)

ITEM	PART NAME	Q'TY	MATERIAL	FINISH
1	HOUSING	1	Hi-temp Thermoplastic	Black UL94V-0
2	DATA CONTACT	6	Copper Alloy	Contact area:Gold plated
3	SHELL	1	Stainless Steel	SMT area:Gold plated

# Wellco T&C Co., Ltd.

**Nano-SIM Card Connector**  
**781**

**Push-Pull Type,6 PIN,H1.50mm**

NAME: Nano-SIM Card Connector	
MODEL NO: 781	
TYPE: Push-Pull Type,6 PIN,H1.50mm	
PROJ.:	DWG NO.:
UNIT: mm	SCALE: 1:1
CUSTOMER DRAWING	APPROVAL
DRAWN	CHECKED
SHEET 1/1	REVISION X1
781-001	

### SECTION A-A

### TECHNICAL CHARACTERISTICS

- General Characteristics**  
 Dimensions: 12.30LX10.00WX1.50H mm  
 Weight: Approx 0.53±0.2g  
 Durability: 5,000 cycles min.
- Electrical Characteristics**  
 Contact resistance: 50mΩ typical, 100mΩ max  
 Insulation resistance: >1000MΩ/500V DC
- Solderability**  
 Vaporphase: 215°C, 30sec. Max  
 IR reflow: 250°C, 5sec. Max  
 Manual soldering: 370°C, 3sec. Max
- Environmental Characteristics**  
 Operating temperature: -40°C~+85°C  
 Operating humidity: 10%~+95%RH

