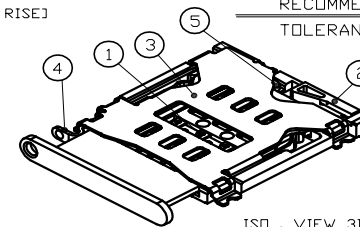


NOTES:

- ELECTRICAL CHARACTERISTICS:
 - 1-1. CURRENT RATING: 1 Amp/PIN. MAX.
 - 1-2. VOLTAGE: 30V DC. MAX.
 - 1-3. LOW LEVEL CONTACT RESISTANCE: 30 mOhms MAX. INITIALLY.
 - 1-4. DIELECTRIC WITHSTANDING VOLTAGE: 500V AC MIN. FOR 1 MINUTE.
 - 1-5. INSULATION RESISTANCE: 100MOhms MIN. (<DC 500V FOR 1 MINUTE)
- MECHANICAL CHARACTERISTICS:
 - 2-1. DURABILITY: 1500 CYCLES.
 - 2-2. OPERATING FORCE (INSERTING & WITHDRAWAL): 1N-10N.
- ENVIRONMENTAL CHARACTERISTICS:
 - 3-1. OPERATING TEMP. RANGE: -25°C TO 85°C. (INCLUDING TERMINAL TEMP. RISE)
 - 3-2. STORAGE TEMP.: -40°C TO 85°C.
- QUANTITY OF PRODUCTS: 1000PCS/REEL MIN.
- PLEASE CONTACT SALES REPRESENTATIVE TO VERIFY PRODUCT DETAILS.
- PART No.:

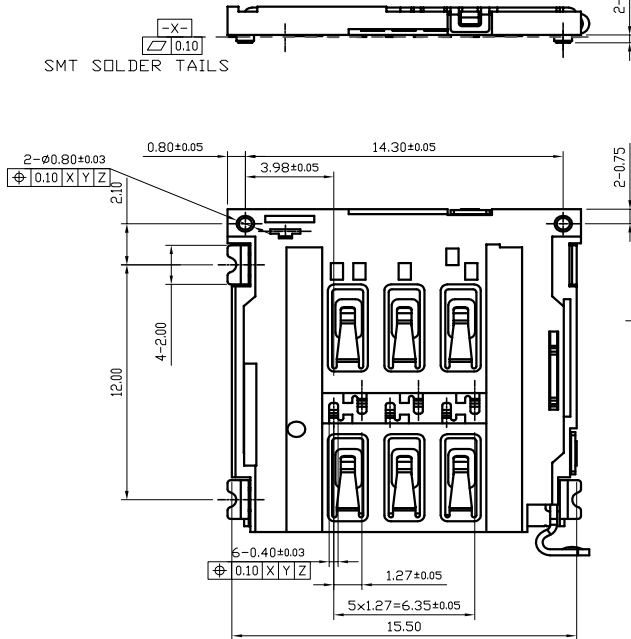
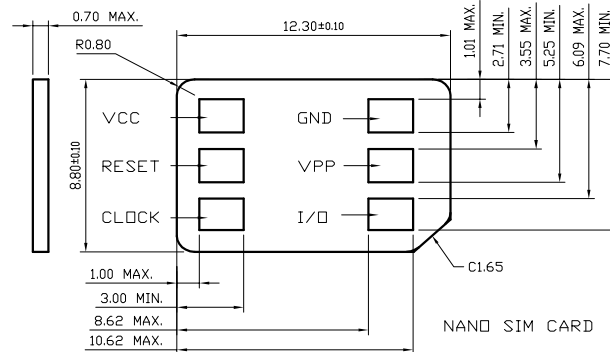


ITEM	PART NAME	Q'TY	DESCRIPTION
5	HINGE	1	SUS, NO PLATING
4	LEVER	1	SUS, NO PLATING
3	SHELL	1	SUS, GOLD PLATING
2	HOUSING	1	LCP, BLACK
1	CONTACT	1	BRONZE ALLOY, GOLD PLATING

S 1 SP - 15 00 06 - 16 G

SIM SERIES: S=SIM, SP=Simple Type, 15=HEIGHT 1.5mm, 00=NORMAL TYPE.

G=gold flash, 16=Product Order, Pin No. 06=6Pin



Wellco T&C Co., Ltd.

Gen.Tolerance	Scale	Not
.X ± 0.20	Unit	mm
.XX ± 0.08	Size	⊕
.XXX ± 0.05		
∠±1°		

Scale	Not
Unit	mm
Size	⊕

P/N # S1SP-150006-16G
Nano pin-push

This spec drawing is under the property of Wellco T&C Co., Ltd.

Rev. A
Page 1-1

DRW by	Amy July 07 2015
CHK by	Long July 11 2015
APP by	Chin July 11 2015