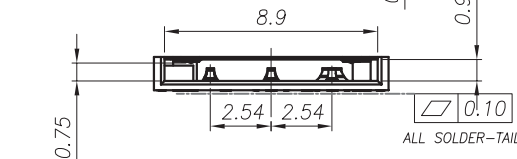
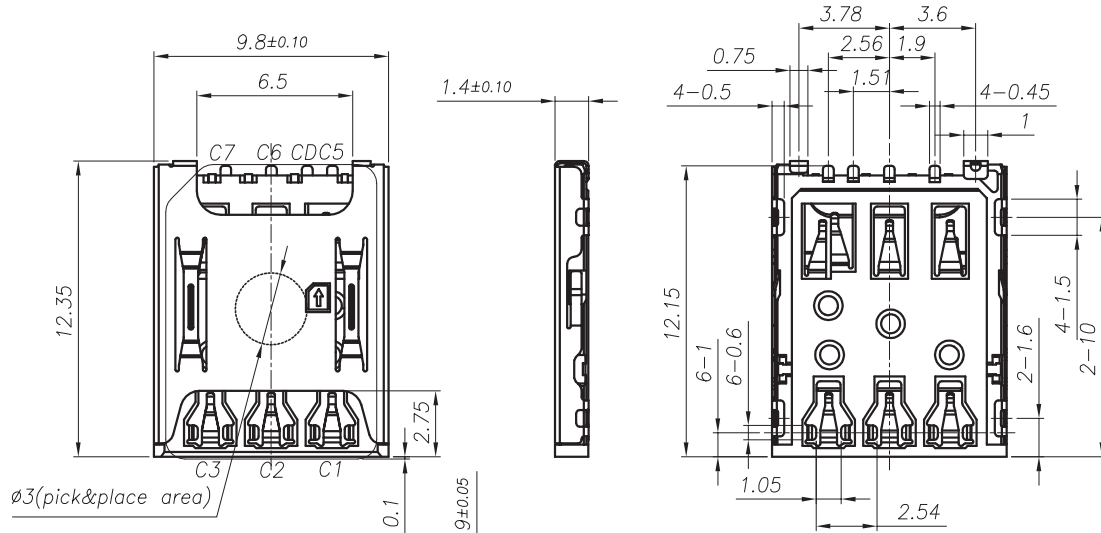
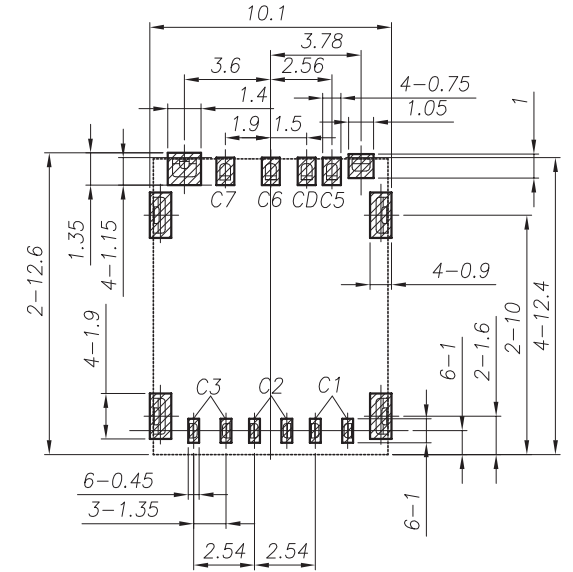


| | | | |
|------|-----------------------|---------|------------|
| REV. | ECN NO OR DESCRIPTION | REVISED | DATE |
| ▽ | PROPOSE ONLY | ALLEN | 2015.03.04 |

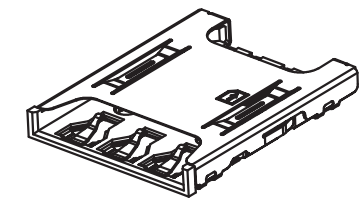


SW Circuit Description for Connector:

| CARD INSERTION STATE | DETECT SWITCH CIRCUIT STATE | SCHEMATIC |
|----------------------|-----------------------------|----------------|
| UNMATED | OPENED | DETECT PIN C5 |
| MATED | CLOSED | DETECT PIN C5 |

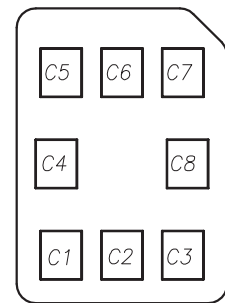


RECOMMENDED PCB LAYOUT TOP VIEW (TOLERANCE:±0.05)
RECOMMENDED METAL MASK T=0.12MM



【 SIM Card Pin Assignments 】

| PIN | Name |
|-----|----------|
| C1 | Vcc |
| C2 | RST |
| C3 | CLK |
| C4 | Reserved |
| C5 | GND |
| C6 | Vpp |
| C7 | I/O |
| C8 | Reserved |



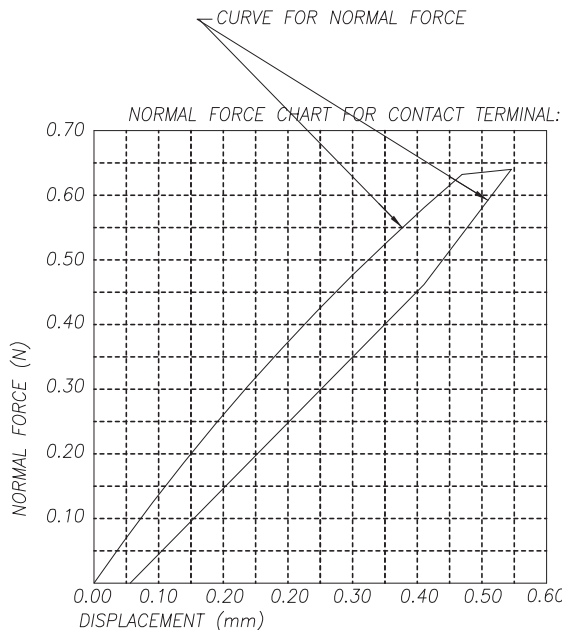
NOTES:

- MATERIAL:SEE TABLE
- SPECIALITY:
 - Rated current: 0.5A Max
 - Rated voltage: 30V AC
 - Contact Resistance:100mohm MAX
 - Insulation Resistance:1000Mohm MIN 500V DC
 - Dielectric withstanding voltage: 500V AC/minute.
 - Solder ability:250±5 10±0.5s.
 - Durability:5000 Cycles
 - Mating and Unmating force
Insertion Force 10N Max
Withdrawal Fore 0.5N Min

3. PART No.:

NS 0 DD - 14 00 06- 10 G

Nano SIM CON. G=gold flash
0=WITHOUT POST 10=Product Order
DD=WITH UPLOCK Pin NO. 6=6Pin
14:HEIGHT 1.4mm 00=NORMAL TYPE.(ON PCB)



| | | | | |
|-----|----------------|------|-----------------|----------------|
| ③ | TERMINAL | 6 | C5210-EH,T=0.12 | Au 5u" PLATING |
| ② | BASE INSULATOR | 1 | LCP+GF30% | BLACK |
| ① | SHELL | 1 | SUS304-H,T=0.12 | AU/Ni PLATING |
| NO. | PART NAME | Q'TY | DESCRIPTION | NOTE |

UNLESS OTHERWISE SPECIFIED TOLERANCES

Wellco T&C Co., Ltd

| | | | | | |
|-------------|----------|-------|---|---------------------------|-------------|
| DECIMALS: | ANGLES: | TITLE | 6Pin 1.4H PUSH PULL Nano SIM CARD CONN. | | |
| X :±0.5 | X :±2° | DWN | ALLEN | PART NO. NSODD-140006-10G | |
| X.X :±0.20 | X.X :±1° | CHKD | KEVIN | SCALE:1:1 | UNIT: mm |
| X.XX :±0.10 | | APVD | ERIC.W | SIZE: A3 | SHEET:1OF 1 |
| | | | | | REV: A2 |

CUSTOMER COPY