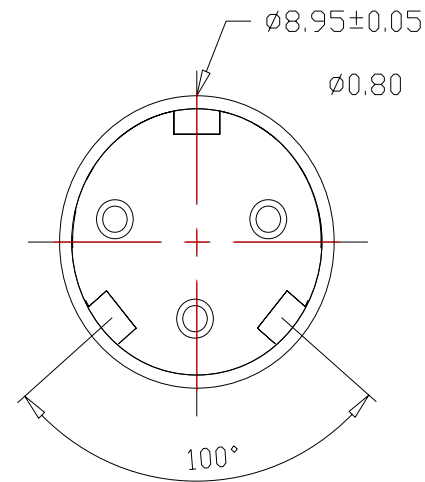
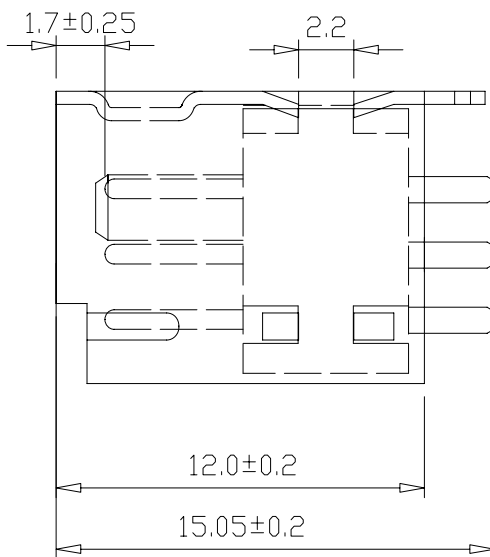
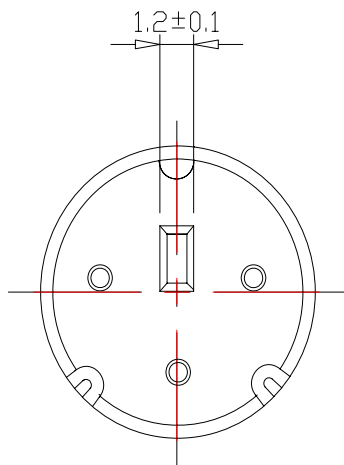


公差

.x ±0.25  
.xx ±0.05  
.xxx ±0.002



Wellco T&C Co., Ltd.

www.wellco.com.tw

TOLERANCE

. xxx	±
. xx	±0.20
. x	±0.30
x	±

ANGLE ±1°

TITLE: MINI DIN 3PIN M 车针

PART NO:

DRAWING NO. :

CP098

SHEET:

SCALE:

UNIT

SIZE

REV

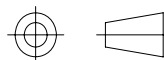
1 / 1

1 / 1

mm

A4

A



APPD. 黄光明

CHECK

DRAWN

LZL 06-09-20