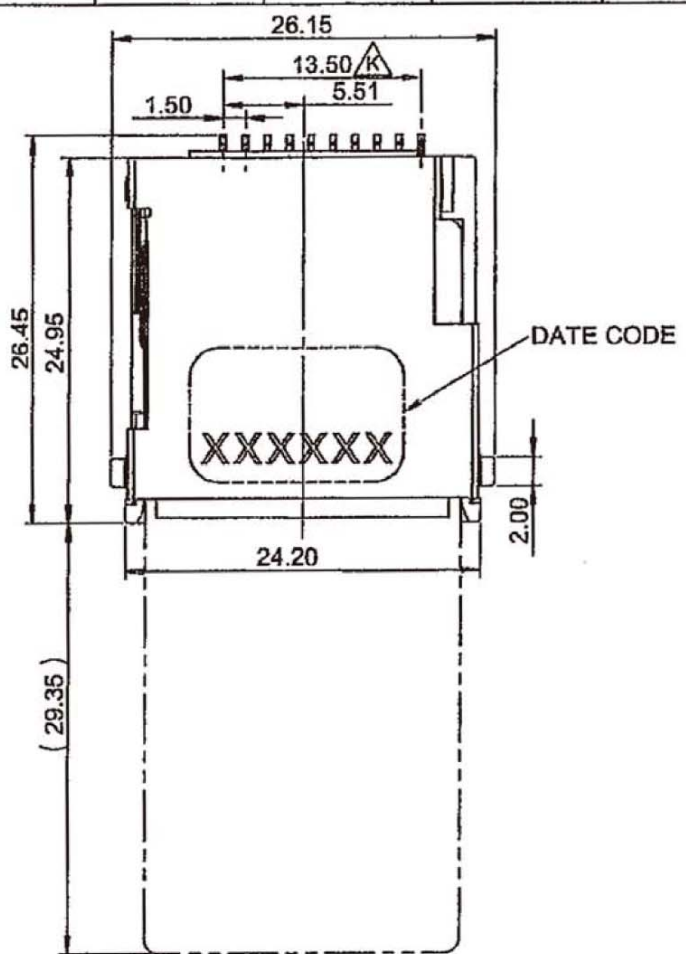
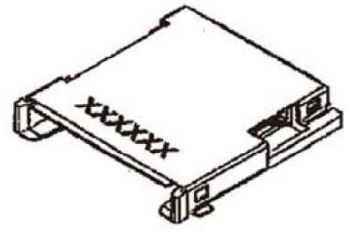
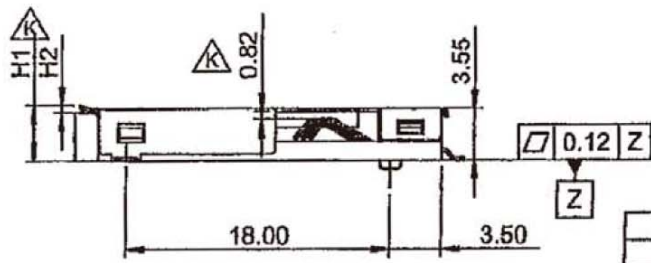
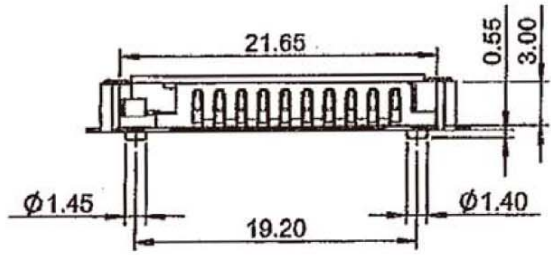
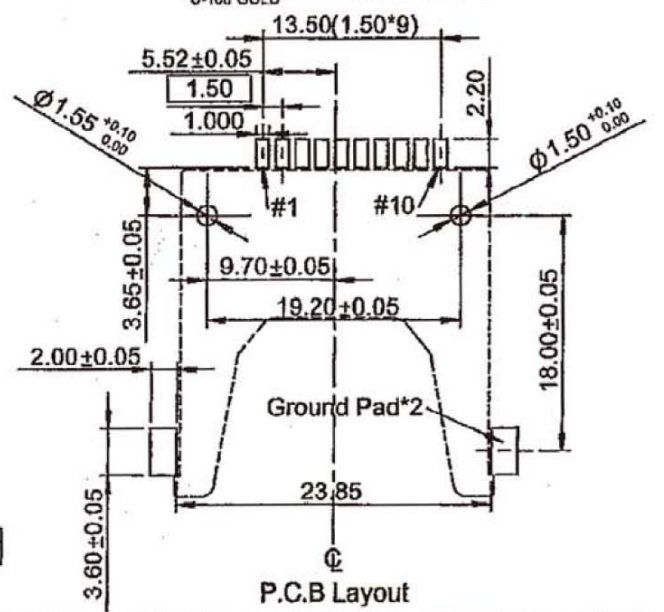


REV	MODIFICATION	DRAWN	APPROVED
K	EN112604		
L	EN092505		

- NOTES :
- MATERIAL :
INSULATOR : HIGH TEMPERATURE THERMOPLASTIC ,UL 94V-0
COLOR : BLACK
CONTACT : COPPER ALLOY
 - PLATING :
TERMINAL :
CONTACT AREA : GOLD OVER NICKEL
UNDER PLATING : NICKEL OVERALL
SOLDER TALL AREA : TIN/LEAD PLATE or UNLEAD PLATE
COVER :
UNDER PLATING : NICKEL OVERALL
PAD : GOLD FLASH OVER NICKEL
 - P/N MSC010-X 0-0 X 0 X



- TYPE:
- 0:H1=3.75 mm H2=0.25 mm TRAY
 - 1:H1=3.50 mm H2=0.00 mm TRAY
 - 4:H1=3.75 mm H2=0.25 mm T&R
 - 5:H1=3.50 mm H2=0.00 mm T&R
- PLATING:
- 0-GOLD FLASH
 - 2-10u" GOLD
- UNLEAD PLATING:
- A-GOLD FLASH
 - C-10u" GOLD
- DATE CODE:
- 0-WITH DATE CODE
 - 1-W/O DATE CODE



GENERAL TOLERANCE	
X±0.40	X*±5*
.X±0.30	.X*±2*
.XX±0.20	.XX*±1*
.XXX±0.10	.XXX*±0.5*

Wellco T&C Co., Ltd.

TITLE
Memory Stick Connector

UNIT	PART NO.	DWG NO.
mm	MSC010-X0-0X0X	MSC010-01-L
APPROVAL	CHECKED	DRAWN
SCALE	NONE	sheet 1 / 1
PROJ.	REV	L