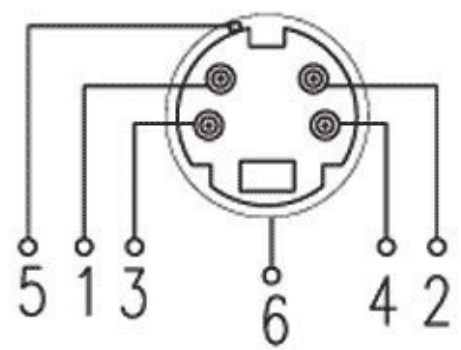
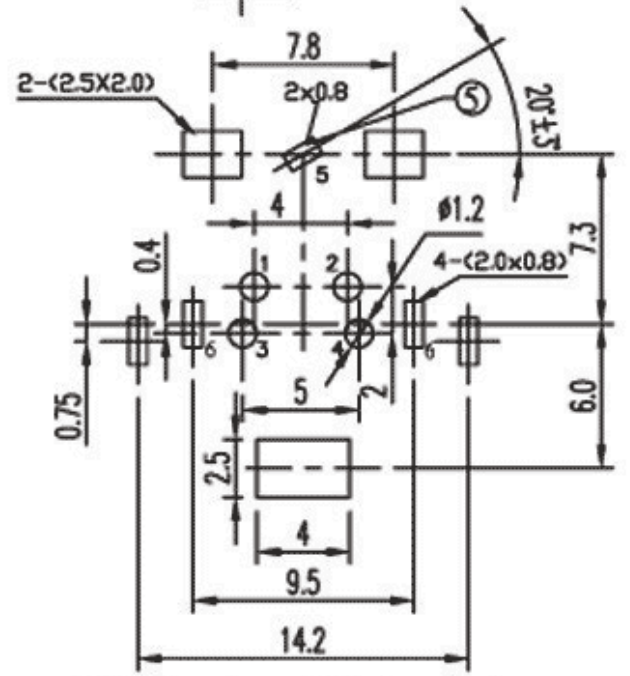
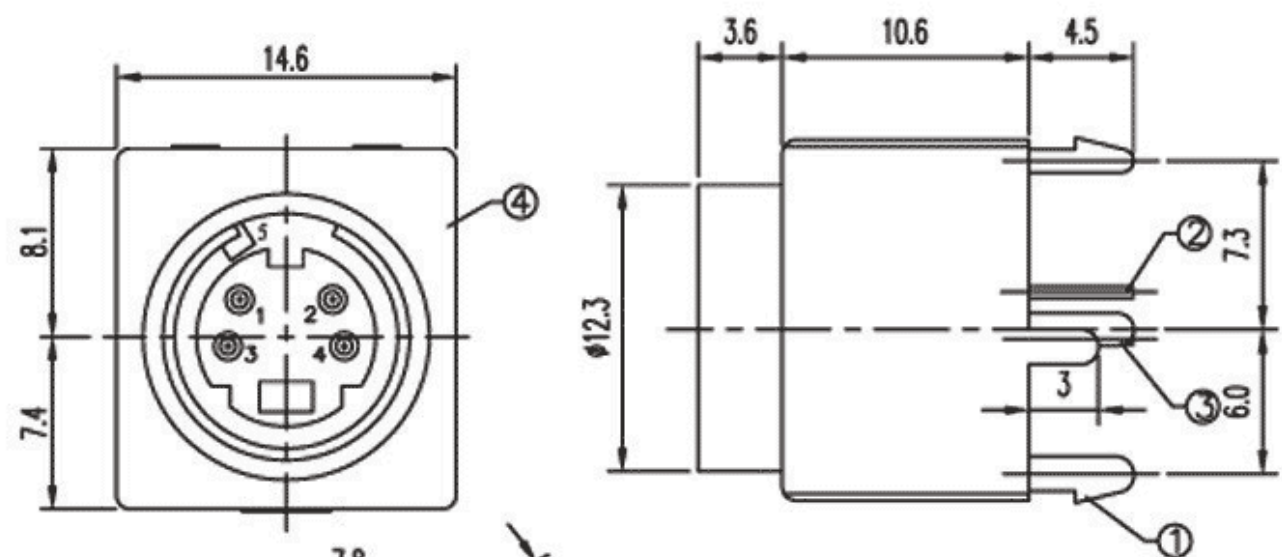


* REVISIONS				
LTR	DESCRIPTION	DATE	REVISED	APPROVED
01	修改腳位尺寸6.2改為6.0	2006.8.27	LUN	GIEVEN



SCHMATIC DIAGRAM

LEAD FREE

5	RING SPRING	1	BRONZE	MB:Cu Ag	PLATED
4	COAT	1	BRASS	MB:Cu Cu/Sn	PLATED
3	GROUND CONTACT	1	BRASS	MB:Cu Cu/Sn	PLATED
2	CONTACT FOOT	4	BRONZE	MB:Cu Ag	PLATED
1	HOUSING	1	PBT		

LTR	PART NAME	QTY	MATERIAL(THICK,COLOR)	REMARK
DSND	XIAO CUI	DATE	2006.04.23	3RD ANGLE PROJECTION
DWN	HU LUN	DATE	2006.04.23	
CHKD	GAO WEI	DATE	2006.04.23	
APVD	JACKY	DATE	2006.04.23	

Wellco T&C Co., Ltd.

NAME	S JACK
CAT. NO.	WT-09049S
DWN.NO.	WL-09049S

T:1.6 Dimensions of PC board holes
 Tolerance : ±0.1(Printed-top view)
 UNLESS OTHERWISE SPECIFIED, TOLERANCE ON DECIMAL: ±0.3