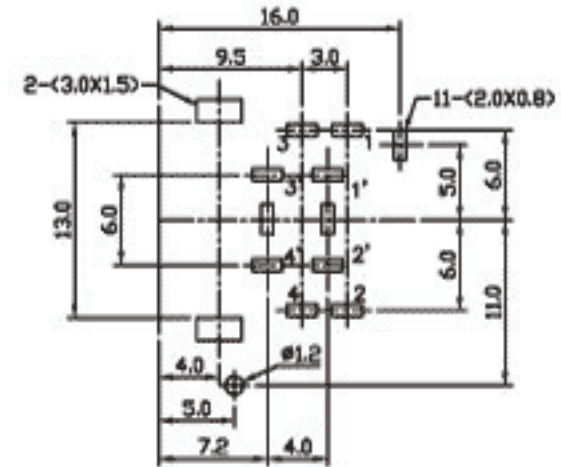
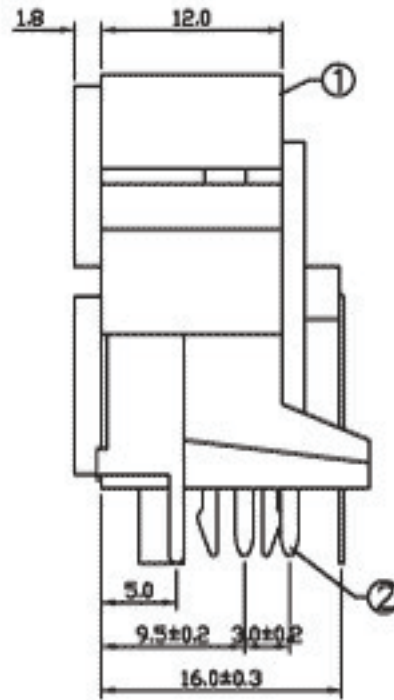
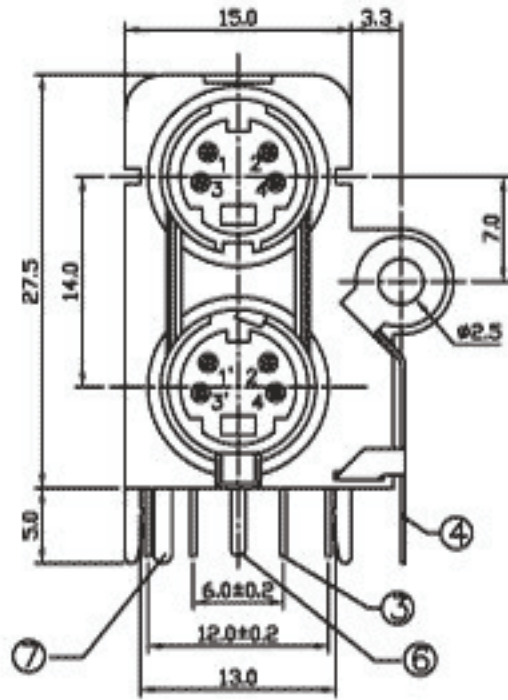
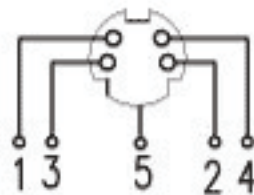


* REVISIONS				
LTR	DESCRIPTION	DATE	REVISED	APPROVED



T:1.6 Dimensions of PC board holes  
Tolerance : ±0.1(Printed-TOP view)



SCHEMATIC DIAGRAM

UNLESS OTHERWISE SPECIFIED, TOLERANCE ON DECIMAL: ±0.3

### LEAD FREE

7	CONTACT	1	BRONZE	MB:Cu Ag PLATED
6	GROUND CONTACT	1	BRASS	MB:Cu Cu/Sn PLATED
5	CONTACT	1	BRONZE	MB:Cu Ag PLATED
4	CONTACT	1	BRASS	MB:Cu Cu/Sn PLATED
3	CONTACT	4	BRONZE	MB:Cu Ag PLATED
2	CONTACT	4	BRONZE	MB:Cu Ag PLATED
1	HOUSING	1	PBT	
LTR	PART NAME	QTY	MATERIAL(THICK,COLOR)	REMARK
DSND	XIAO CUI	DATE	2006.02.10	3RD ANGLE PROJECTION NAME S JACK CAT. NO. WT-09044-4 DWN.NO. WL-09044 001
DWN	HU LUN	DATE	2006.02.10	
CHKD	GAO WEI	DATE	2006.02.10	
APVD	JACKY	DATE	2006.02.10	
			UNIT: mm	

Wellco T&C Co., Ltd.