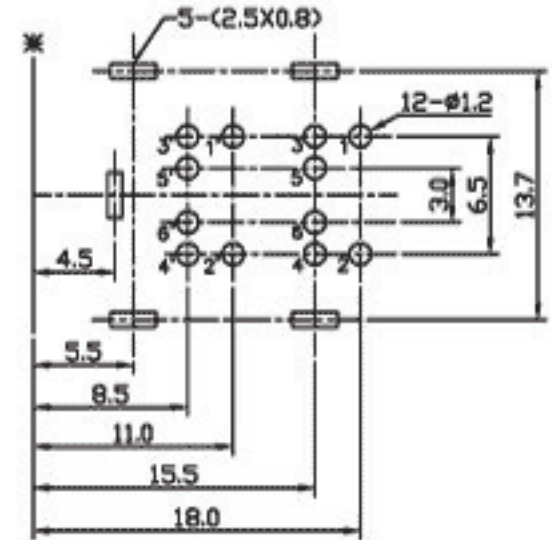
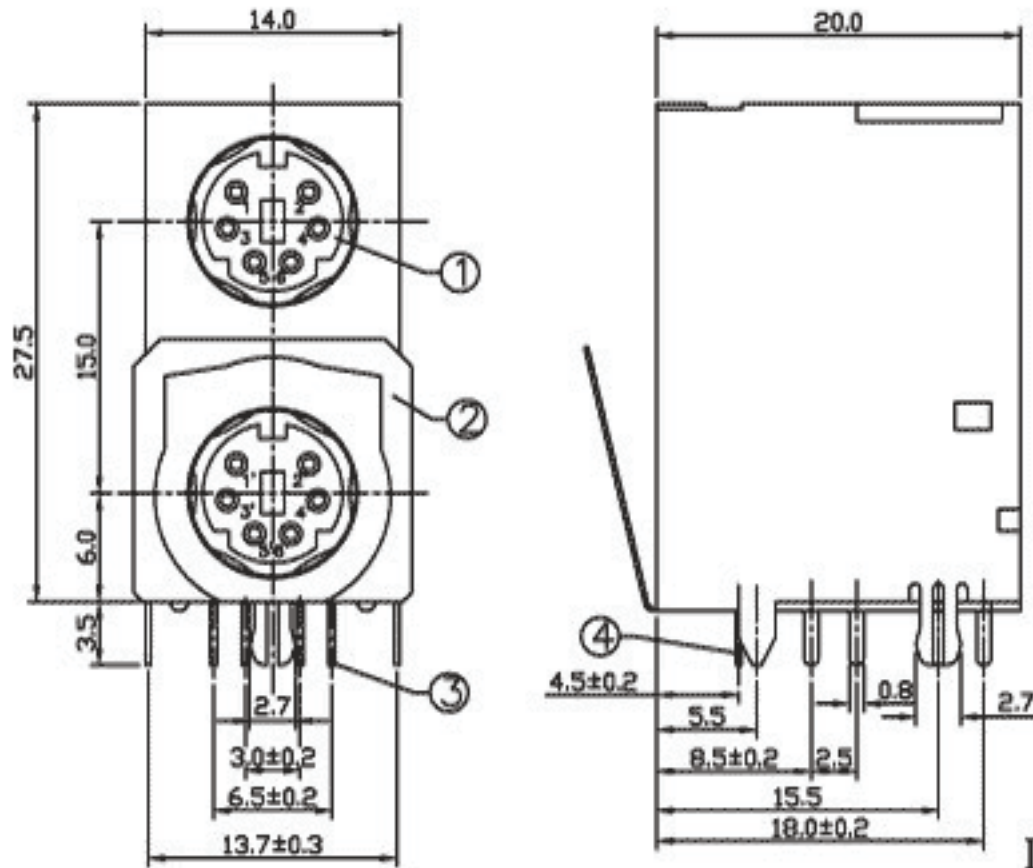
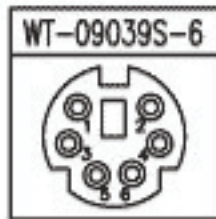


* REVISIONS				
LTR	DESCRIPTION	DATE	REVISED	APPROVED



T:1.6 Dimensions of PC board holes  
Tolerance : ±0.1(Printed-top view)



**LEAD FREE**

4	CONTACT FOOT	1	BRONZE	MB:Cu Ag PLATED
3	CONTACT FOOT	12	BRONZE	MB:Cu Ag PLATED
2	COAT	1	BRASS	MB:Cu Sn PLATED
1	HOUSING	2	PBT	

LTR	PART NAME	QTY	MATERIAL(THICK)	REMARK
DSND	XIAO CUI	DATE	2006.04.23	3RD ANGLE PROJECTION NAME S JACK CAT. NO. WT-09039S-6
DWN	HU LUN	DATE	2006.04.23	
CHKD	GAO WEI	DATE	2006.04.23	
APVD	JACKY	DATE	2006.04.23	

UNLESS OTHERWISE SPECIFIED, TOLERANCE ON DECIMAL: ±0.3

Wellco T&C Co., Ltd.

DWN.NO. WL-09039S 001