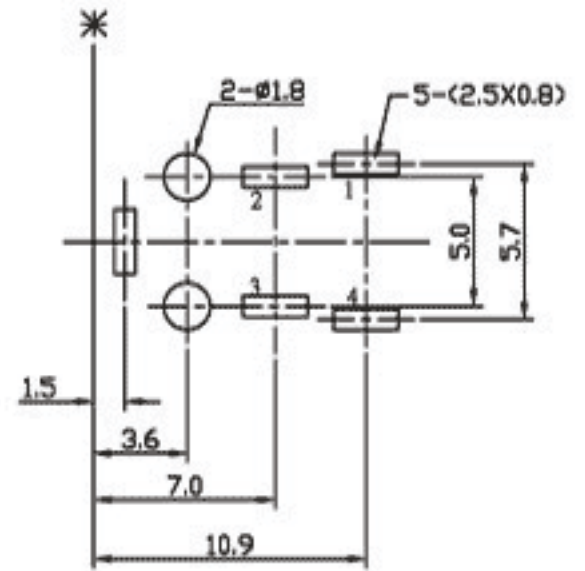
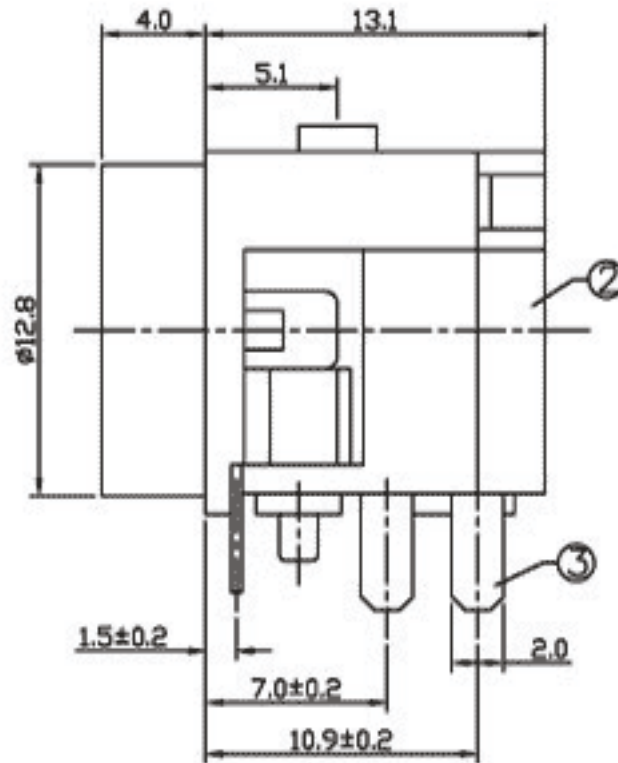
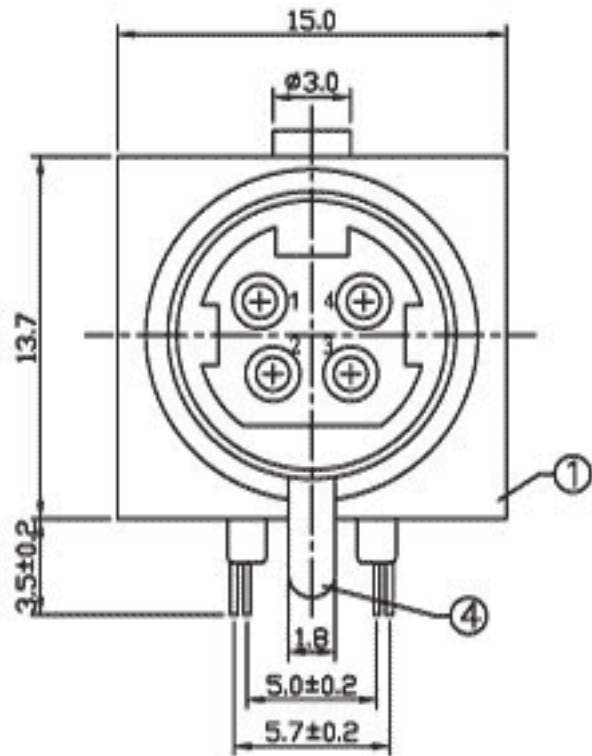
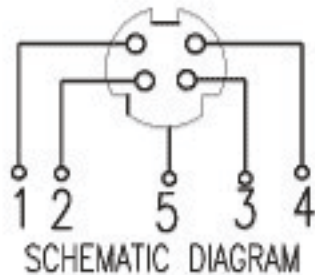


| * REVISIONS | | | | |
|-------------|-------------|------|---------|----------|
| LTR | DESCRIPTION | DATE | REVISED | APPROVED |
| | | | | |



T:1.6 Dimensions of PC board holes
Tolerance : ±0.1(Printed-bottom view)



UNLESS OTHERWISE SPECIFIED,±TOLERANCE ON DECIMAL:

LEAD FREE

| 4 | GROUND CONTACT | 1 | BRASS | MB:Cu | Cu/Sn | PLATED |
|------|----------------|------|-----------------------|-------------------------|-----------------|-------------|
| 3 | CONTACT FOOT | 4 | BRONZE | MB:Cu | Ag | PLATED |
| 2 | COAT | 1 | PBT | | | |
| 1 | HOUSING | 1 | PBT | | | |
| LTR | PART NAME | QTY | MATERIAL(THICK,COLOR) | REMARK | | |
| DSND | XIAO CUI | DATE | 2006.02.23 | 3RD ANGLE PROJECTION | NAME DC JACK | |
| DWN | HU LUN | DATE | 2006.02.23 | | CAT. NO. | WT-09038A-4 |
| CHKD | GAO WEI | DATE | 2006.02.23 | UNIT: mm | DWN.NO. | |
| APVD | JACKY | DATE | 2006.02.23 | WL-09038A 001 | | |

Wellco T&C Co., Ltd.