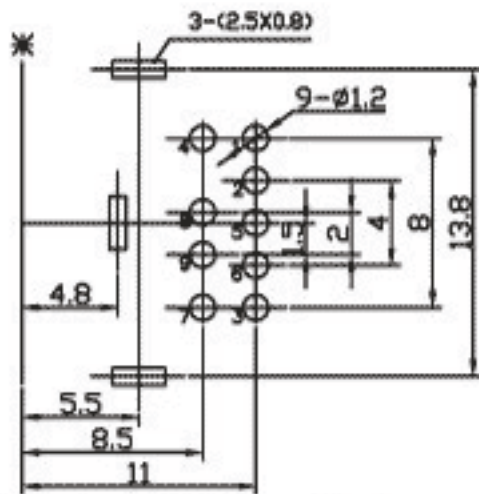
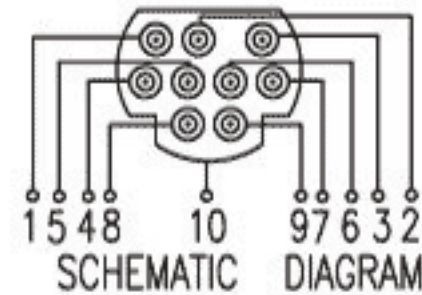
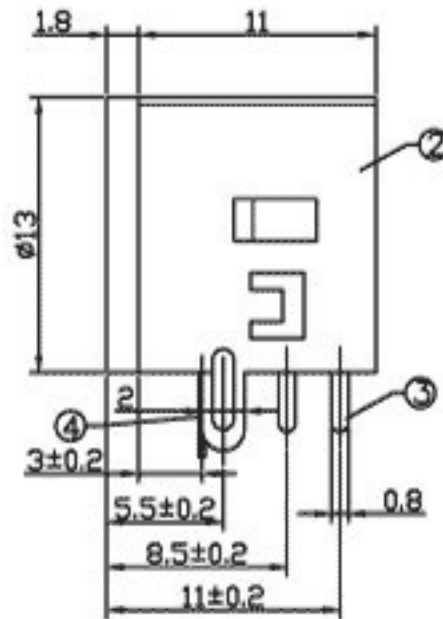
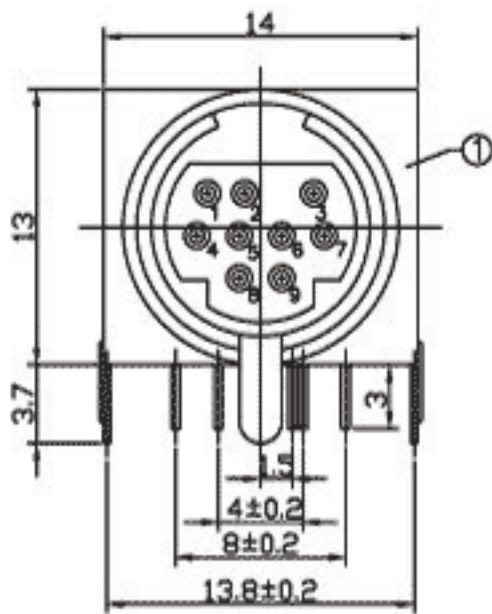


\* REVISIONS

LTR	DESCRIPTION	DATE	REVISED	APPROVED



T:1.6 Dimensions of PC board holes  
Tolerance : ±0.1(Printed-top view)

UNLESS OTHERWISE SPECIFIED, TOLERANCE ON DECIMAL: ±0.3

LEAD FREE

4	GROUND CONTACT	1	C2680	t=0.4	MB:Cu	Cu/Sn	PLATED
3	CONTACT FOOT	9	C5191	t=0.3	MB:Cu	Ag	PLATED
2	SHIELDED PLATE	1	C2680	t=0.4	MB:Cu	Cu/Sn	PLATED
1	HOUSING	1	PBT				
LTR	PART NAME	QTY	MATERIAL(THICK)		REMARK		
DSND	XIAO CUI	DATE	2006.04.23	3RD ANGLE PROJECTION	NAME		
DWN	HU LUN	DATE	2006.04.23		S JACK		
CHKD	GAO WEI	DATE	2006.04.23		CAT. NO.		
APVD	JACKY	DATE	2006.04.23		WT-09037		
					UNIT: mm		
						DWN.NO.	
						WL-09037	001

Wellco T&C Co., Ltd.