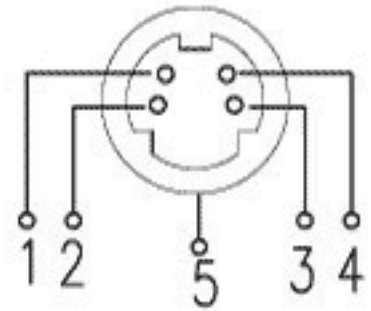
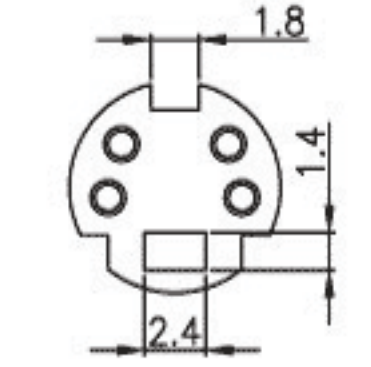
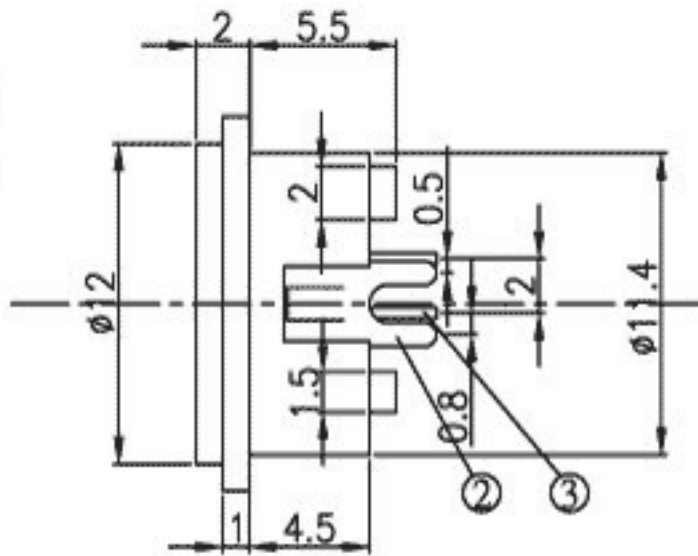
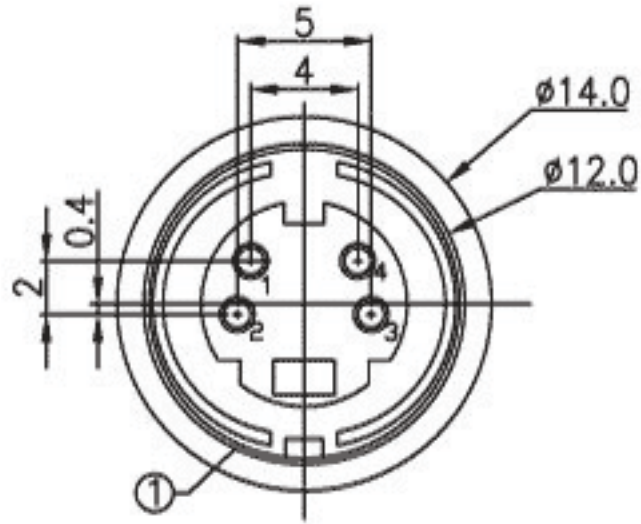
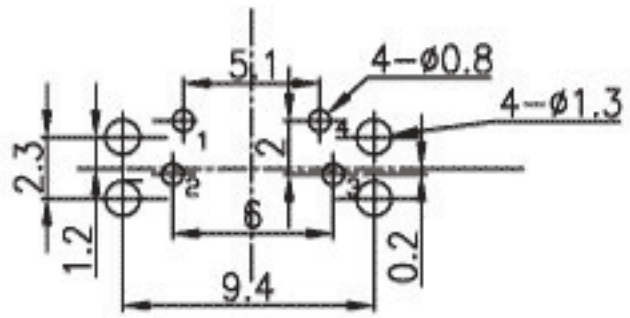


* REVISIONS				
LTR	DESCRIPTION	DATE	REVISED	APPROVED



SCHEMATIC DIAGRAM



T:1.6 Dimensions of PC board holes
Tolerance : ±0.1(Printed-TOP view)

UNLESS OTHERWISE SPECIFIED, TOLERANCE ON DECIMAL: ±0.3

LEAD FREE

3	TERMINAL	4	C5191	t=0.3	MB:Cu	Ag	PLATED
2	GROUND CONTACT	2	C2680	t=0.3	MB:Cu	Cu/Sn	PLATED
1	HOUSING	1	PBT				
LTR	PART NAME	QTY	MATERIAL(THICK,COLOR)		REMARK		
DSND	XIAO CUI	DATE	2006.04.23		3RD ANGLE PROJECTION	NAME S JACK	
DWN	HU LUN	DATE	2006.04.23			CAT. NO. WT-09036-4	
CHKD	GAO WEI	DATE	2006.04.23		UNIT: mm	DWN.NO. JFS-09036	
APVD	JACKY	DATE	2006.04.23			001	

Wellco T&C Co., Ltd.