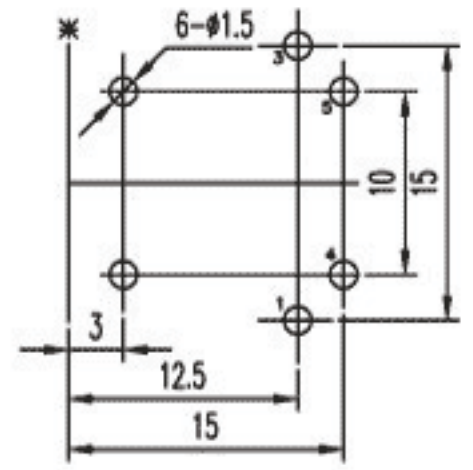
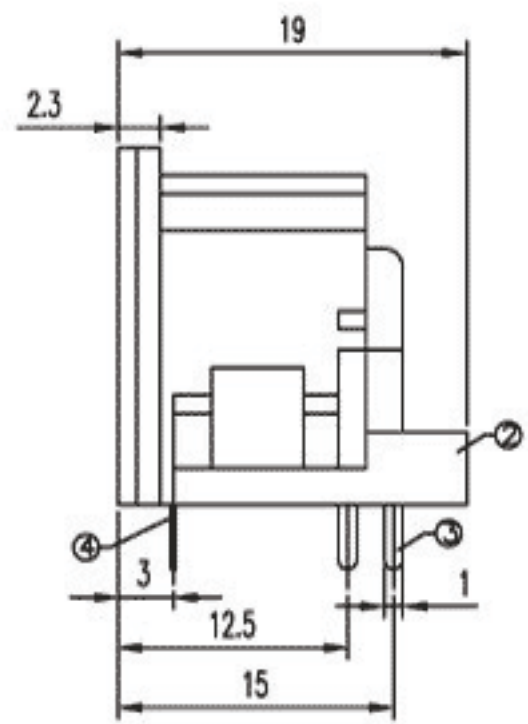
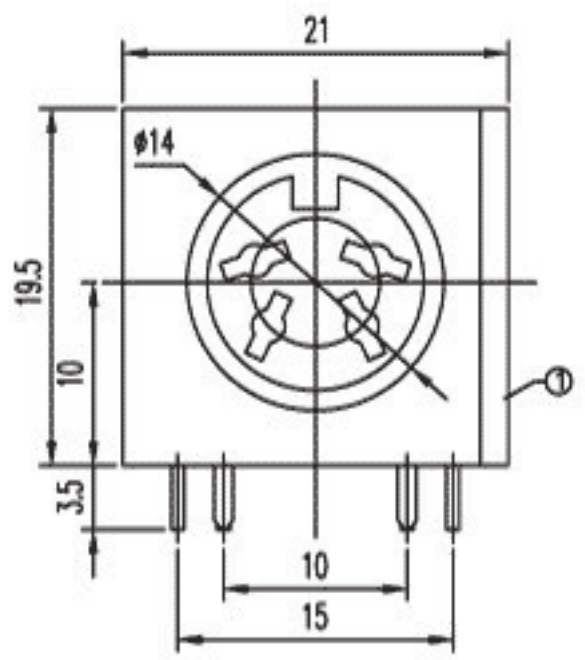
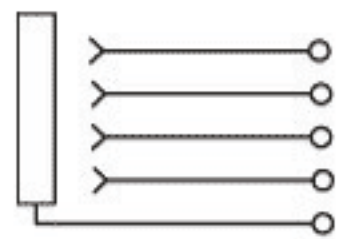


* REVISIONS				
LTR	DESCRIPTION	DATE	REVISED	APPROVED



T:1.6 Dimensions of PC board holes
Tolerance : ±0.1(Printed-bottom view)



SCHEMATIC DIAGRAM

UNLESS OTHERWISE SPECIFIED, TOLERANCE ON DECIMAL ±0.3

LEAD FREE

4	TERMINAL	2	C5191	MB:Cu Ag	PLATED
3	GROUND CONTACT	4	C2680 t=0.6	MB:Cu Cu/Sn	PLATED
2	COVER	1	PBT		
1	HOUSING	1	PBT		

LTR	PART NAME	QTY	MATERIAL(THICK,COLOR)	REMARK
DSND	XIAO CUI	DATE	2006.04.23	NAME S JACK CAT. NO. WT-09034-4 DWN.NO. WL-09034 001
DWN	HU LUN	DATE	2006.04.23	
CHKD	GAO WEI	DATE	2006.04.23	
APVD	JACKY	DATE	2006.04.23	

Wellco T&C Co., Ltd.