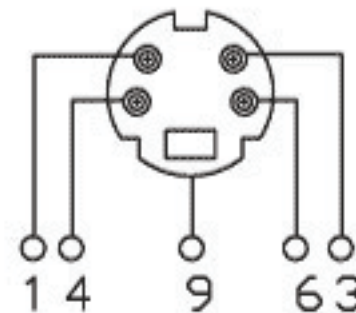
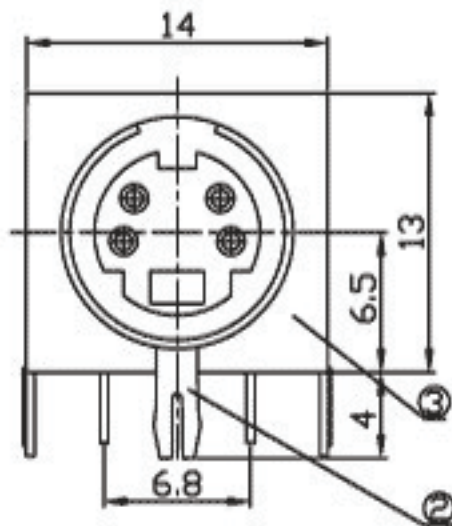
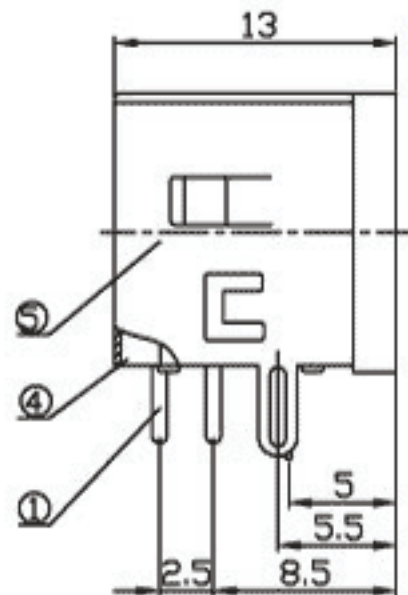
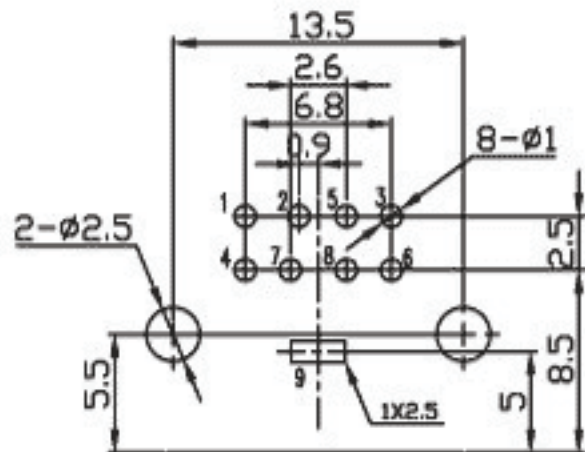


* REVISIONS				
LTR	DESCRIPTION	DATE	REVISED	APPROVED



SCHEMATIC DIAGRAM



T:1.6 Dimensions of PC board holes  
Tolerance : ±0.1(Printed-top view)

ARRANGEMENT OF CONTACTS	MODEL NO	WT-09030-3	WT-09030-4	WT-09030-5	WT-09030-6	WT-09030-7	WT-09030-8

## LEAD FREE

5	SHIELDED PLATE	1	C2680	t=0.4	MB:Cu	Cu/Sn	PLATED
4	COVER	1	PBT				
3	HOUSING	1	PBT				
2	GROUND CONTACT	1	C2680	t=0.3	MB:Cu	Cu/Sn	PLATED
1	TERMINAL	4	C5191	t=0.3	MB:Cu	Ag	PLATED

LTR	PART NAME	QTY	MATERIAL(THICK,COLOR)	REMARK
DSND	XIAO CUI	DATE	2006.04.23	3RD ANGLE PROJECTION
DWN	HU LUN	DATE	2006.04.23	
CHKD	GAO WEI	DATE	2006.04.23	
APVD	JACKY	DATE	2006.04.23	
UNIT:	mm			
NAME				S JACK
CAT. NO.				WT-09030
DWN.NO.				WL-09030
				003

UNLESS OTHERWISE SPECIFIED, TOLERANCE ON DECIMAL: ±0.3

Wellco T&C Co., Ltd.