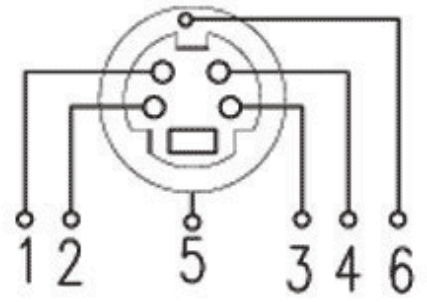
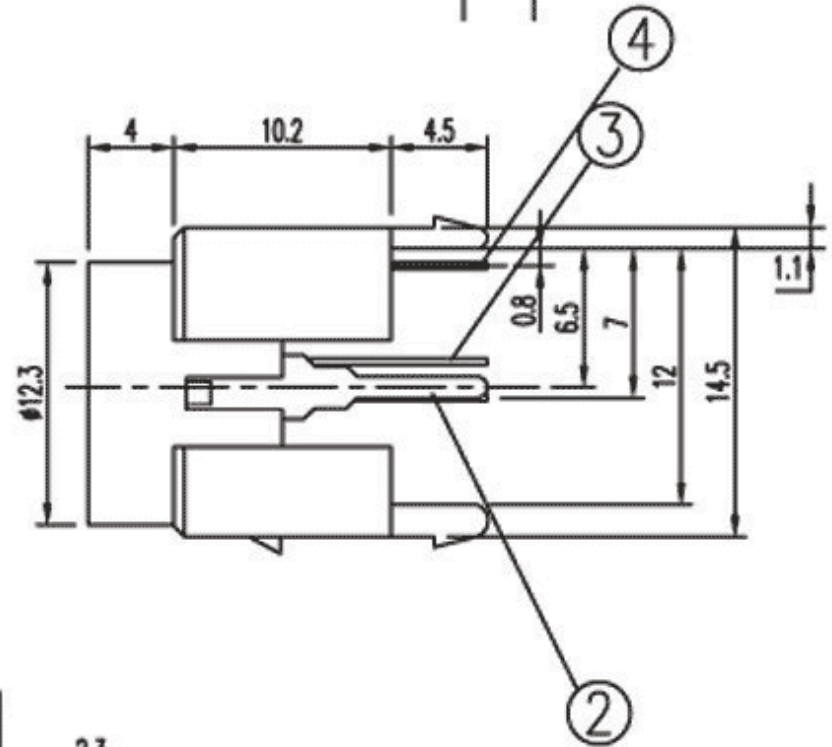
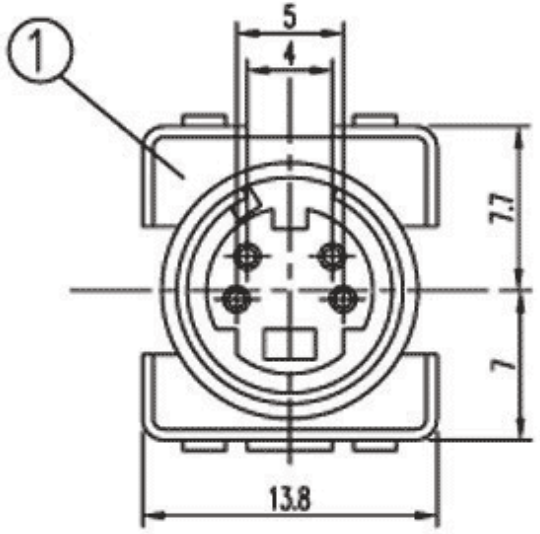
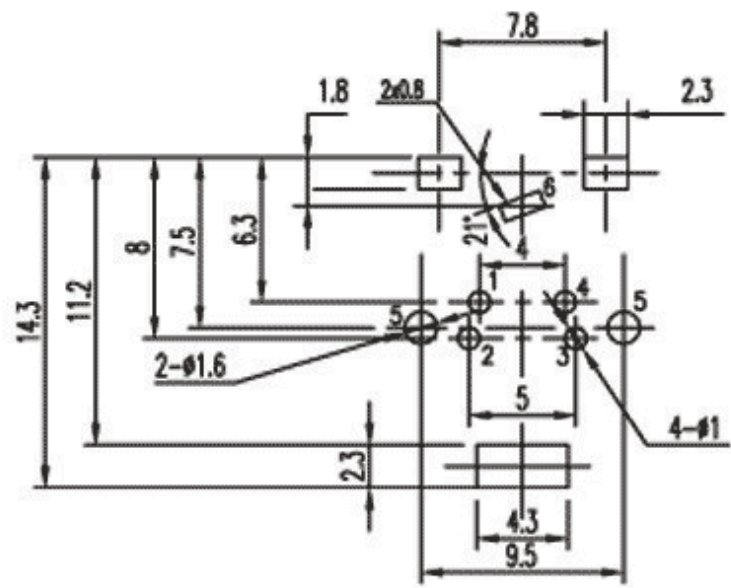


* REVISIONS				
LTR	DESCRIPTION	DATE	REVISED	APPROVED



SCHMATIC DIAGRAM



T:1.6 Dimensions of PC board holes
Tolerance : ±0.1(Printed-top view)

UNLESS OTHERWISE SPECIFIED, TOLERANCE ON DECIMAL: ±0.3

LEAD FREE

QTY	PART NAME	MATERIAL	THICK	COLOR	REMARK
4	RING SPRING	C5191	t=0.3	MB:Cu Ag	PLATED
4	TERMINAL	C5191	t=0.5	MB:Cu Ag	PLATED
1	GROUND CONTACT	C2680	t=0.3	MB:Cu Cu/Sn	PLATED
1	HOUSING	PBT			

LTR	PART NAME	QTY	MATERIAL(THICK,COLOR)	REMARK
DSND	XIAO CUI	DATE	2006.04.23	3RD ANGLE PROJECTION NAME S JACK CAT. NO. WT-09029 DWN.NO. WL-09029 001
DWN	HU LUN	DATE	2006.04.23	
CHKD	GAO WEI	DATE	2006.04.23	
APVD	JACKY	DATE	2006.04.23	
			UNIT: mm	

Wellco T&C Co., Ltd.