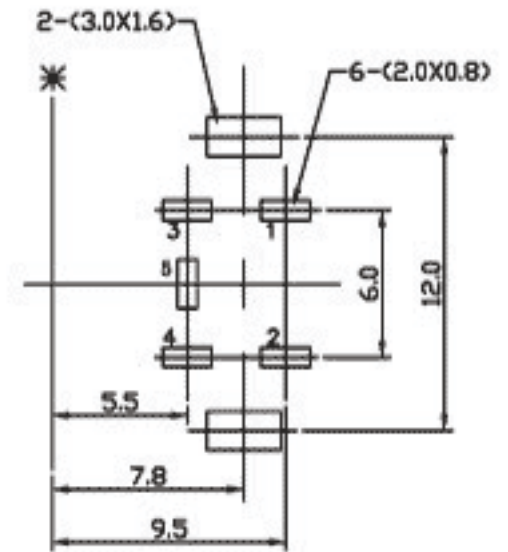
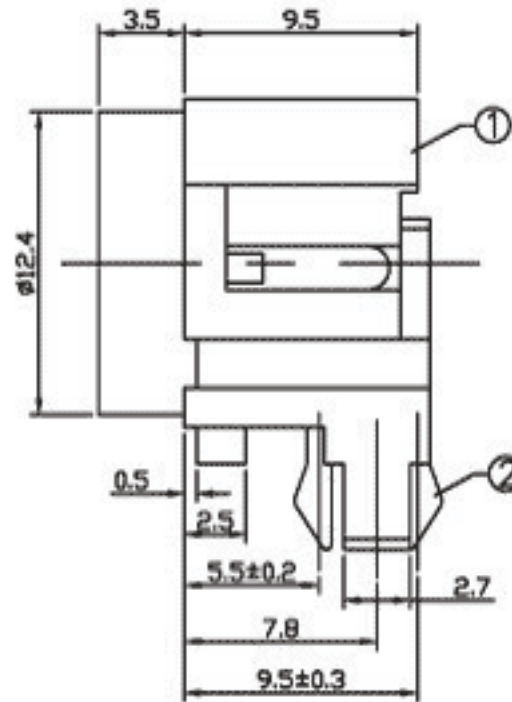
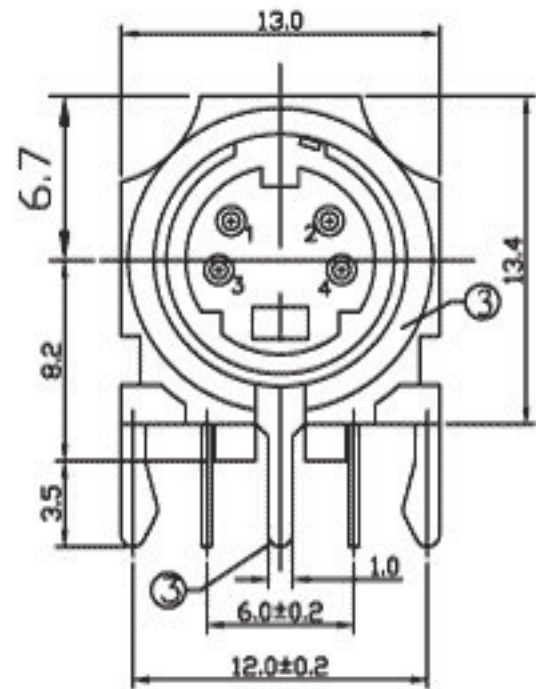
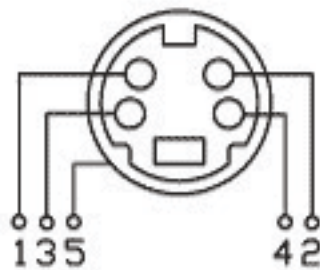


* REVISIONS				
LTR	DESCRIPTION	DATE	REVISED	APPROVED



T:1.6 Dimensions of PC board holes
Tolerance : ±0.1(Printed-bottom view)



SCHEMTIC DIAGRAM

UNLESS OTHERWISE SPECIFIED, TOLERANCE ON DECIMAL: ±0.3

LEAD FREE

3	GROUND	1	BRASS	MB:Cu Cu/Sn PLATED	
2	CONTACT FOOT	4	BRONZE	MB:Cu Ag PLATED	
1	HOUSING	1	PBT		
LTR	PART NAME	QTY	MATERIAL	REMARK	
DSND	XIAO CUI	DATE	2006.02.24	3RD ANGLE PROJECTION	
DWN	HU LUN	DATE	2006.02.24		
CHKD	GAO WEI	DATE	2006.02.24		
APVD	JACKY	DATE	2006.02.24		
				UNIT: mm	NAME S JACK
					CAT. NO. WT-09026A
					DWN.NO. WL-09026
					001

Wellco T&C Co., Ltd.