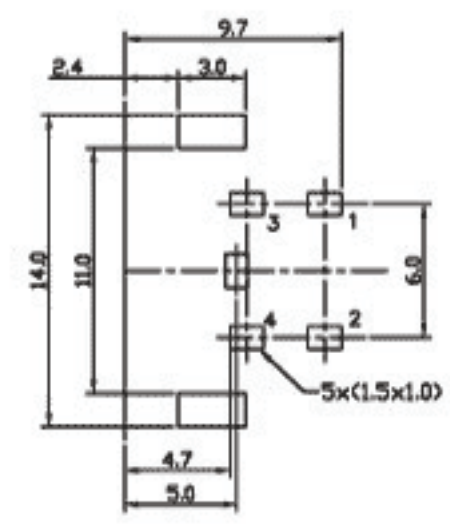
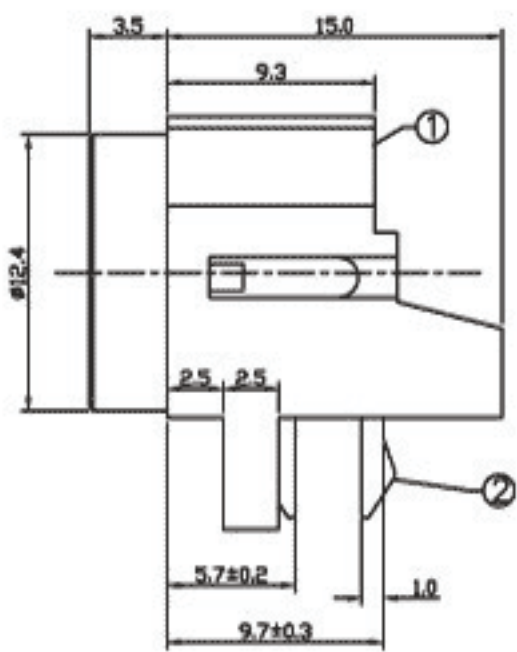
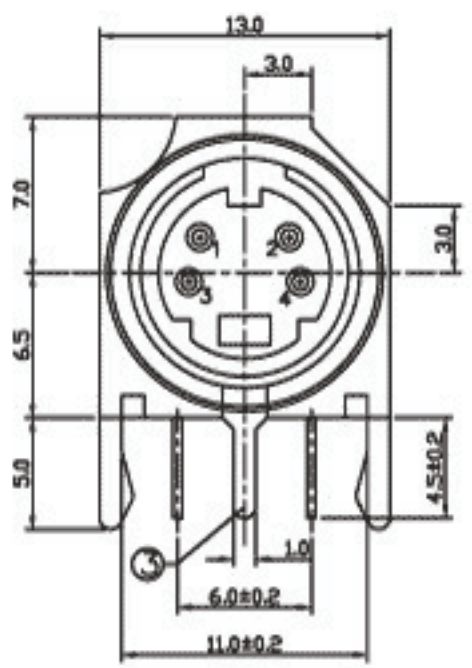
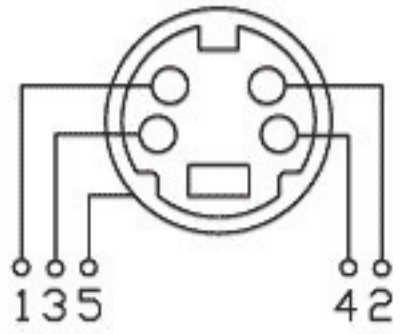


* REVISIONS				
LTR	DESCRIPTION	DATE	REVISED	APPROVED



T:1.6 Dimensions of PC board holes  
Tolerance: ±0.1 (Printed-Top view)



SCHEMATIC DIAGRAM

UNLESS OTHERWISE SPECIFIED, TOLERANCE ON DECIMAL: ±0.3

### LEAD FREE

3	CONTACT FOOT	1	BRASS	MB:Cu	Cu/Sn	PLATED
2	CONTACT FOOT	4	BRONZE	MB:Cu	Ag	PLATED
1	HOUSING	1	PBT			
LTR	PART NAME	QTY	MATERIAL(THICK,COLOR)	REMARK		
DSND	XIAO CUI	DATE	2006.04.23	3RD ANGLE PROJECTION	NAME S JACK	
DWN	HU LUN	DATE	2006.04.23		CAT. NO. WT-09025A	
CHKD	GAO WEI	DATE	2006.04.23	UNIT: mm	DWN.NO. WL-09025	
APVD	JACKY	DATE	2006.04.23		001	

Wellco T&C Co., Ltd.