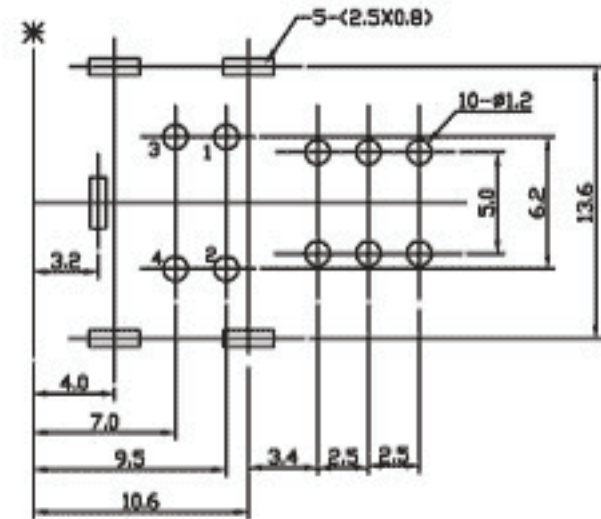
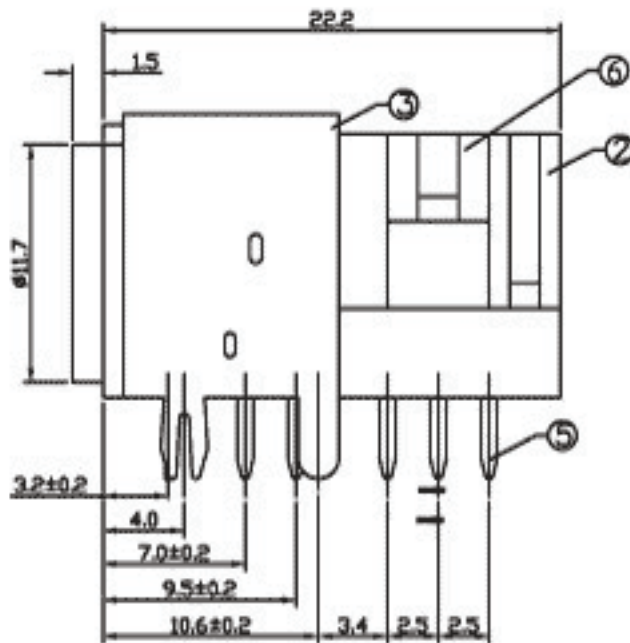
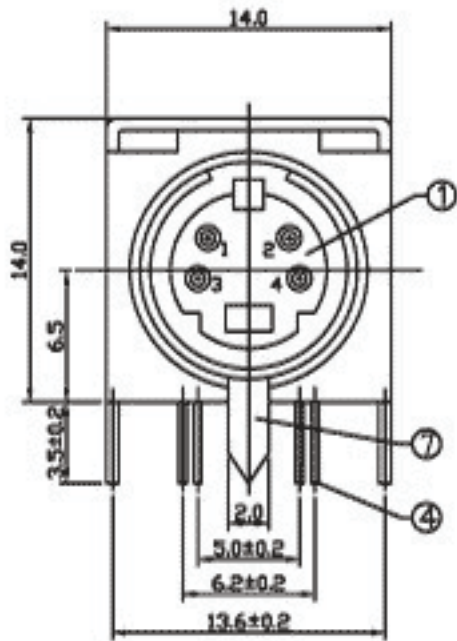
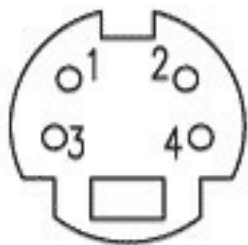


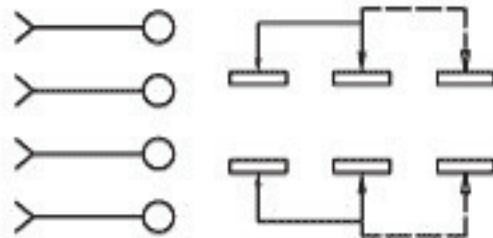
* REVISIONS				
LTR	DESCRIPTION	DATE	REVISED	APPROVED
01	修改6.5尺寸为6.2	2006.7.25	lun	gieven



T:1.6 Dimensions of PC board holes
Tolerance : ±0.1(Printed-bottom view)



CONTACT ARRANGEMENT
(PLUG INSERT FASE)



SCHEMATIC

UNLESS OTHERWISE SPECIFIED, TOLERANCE ON DECIMAL: ±0.3

LEAD FREE

QTY	PART NAME	MATERIAL (THICK, COLOR)	REMARK
2	MOVABLE SLICE	BRONZE	MB:Cu Ag PLATED
1	SPRING	BRONZE	MB:Cu Ag PLATED
1	PUSH ROD	POM	UL-94HB
1	GROUND TERMINAL	BRASS	MB:Cu Cu/Sn PLATED
1	COVER	PBT	UL-94HB
6	CONTACT FOOT	BRONZE	MB:Cu Ag PLATED
4	CONTACT FOOT	BRONZE	MB:Cu Ag PLATED
1	COAT	BRASS	MB:Cu Cu/Sn PLATED
1	BASE HOUSING	PBT	UL-94V0
1	HOUSING	PBT	UL-94V0

LTR	PART NAME	QTY	MATERIAL (THICK, COLOR)	REMARK
DSND	XIAO CUI	DATE	2006.02.09	3RD ANGLE PROJECTION
DWN	HU LUN	DATE	2006.02.09	
CHKD	GAO WEI	DATE	2006.02.09	
APVD	JACKY	DATE	2006.02.09	

Wellco T&C Co., Ltd.

NAME	CAT. NO.	DWN.NO.
S JACK	WT-09024	WL-09024