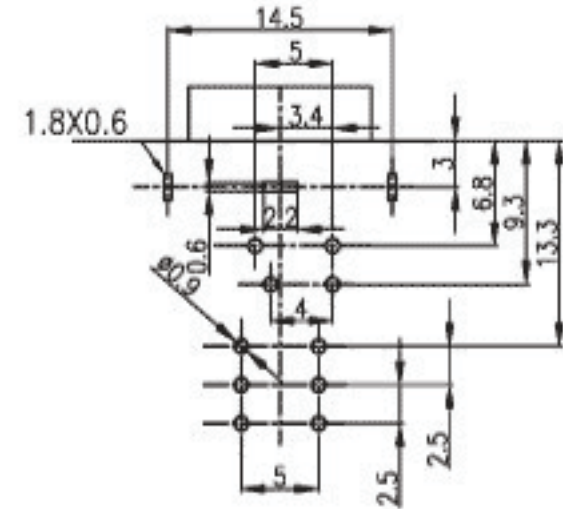
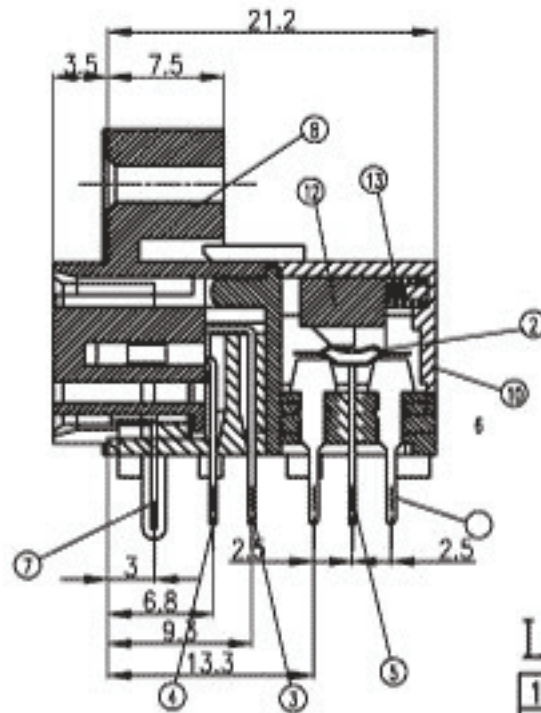
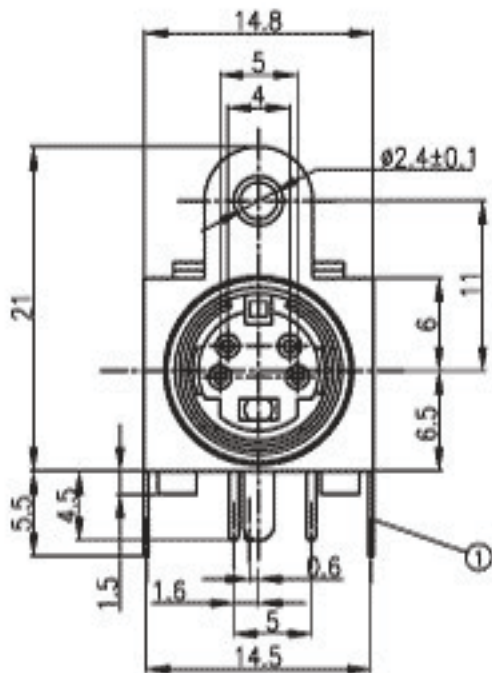


REVISIONS				
LTR	DESCRIPTION	DATE	REVISED	APPROVED



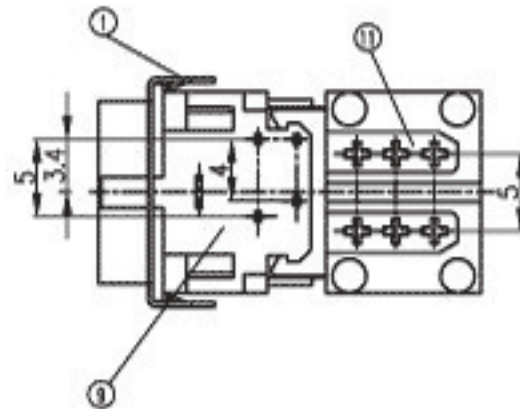
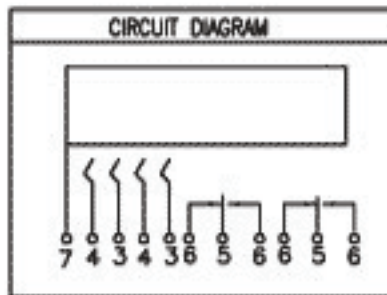
T:1.6 Dimensions of PC board holes  
Tolerance :  $\pm 0.1$  (Printed-side view)

**LEAD FREE**

13	COIL SPRING	1	SWC $\phi 0.2$	
12	CLIP HOLDER	1	POM	UL-94HB
11	COVER	1	PBT	UL-94V0
10	COVER	1	ABS	UL-94HB
9	COVER	1	PBT	UL-94V0
8	HOUSING	1	PBT	UL-94V0
7	GROUND CONTACT	1	C2680 t=0.4	MB:Cu Cu/Sn PLATED
6	TERMINAL	2	C5210 t=0.4	MB:Cu Ag PLATED
5	TERMINAL	2	C5210 t=0.4	MB:Cu Ag PLATED
4	TERMINAL	2	C5210 t=0.4	MB:Cu Ag PLATED
3	TERMINAL	2	C5210 t=0.4	MB:Cu Ag PLATED
2	CLIP	2	C5210 t=0.1	MB:Cu Ag(inside) PLATED
1	SEALED PLATE	1	C2680 t=0.3	MB:Cu Cu/Sn PLATED

LTR	PART NAME	QTY	MATERIAL	REMARK
DSND	XIAO CUI	DATE	2006.01.13	3RD ANGLE PROJECTION
DWN	HU LUN	DATE	2006.01.13	
CHKD	GAO WEI	DATE	2006.01.13	
APVD	JACKY	DATE	2006.01.13	

NAME			S JACK
CAT. NO.			WT-09023
DWN.NO.			WL-09023
			001



UNLESS OTHERWISE SPECIFIED, TOLERANCE ON DECIMAL:  $\pm 0.3$

Wellco T&C Co., Ltd.