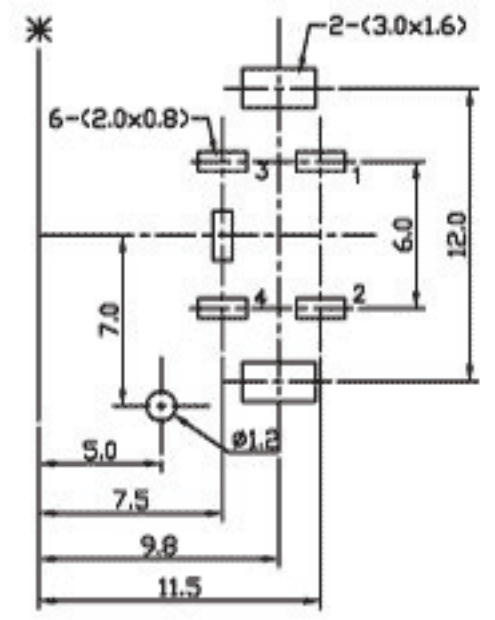
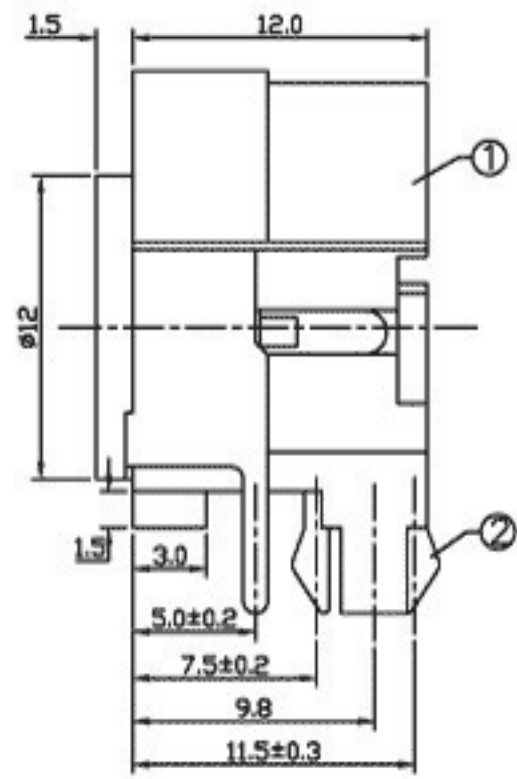
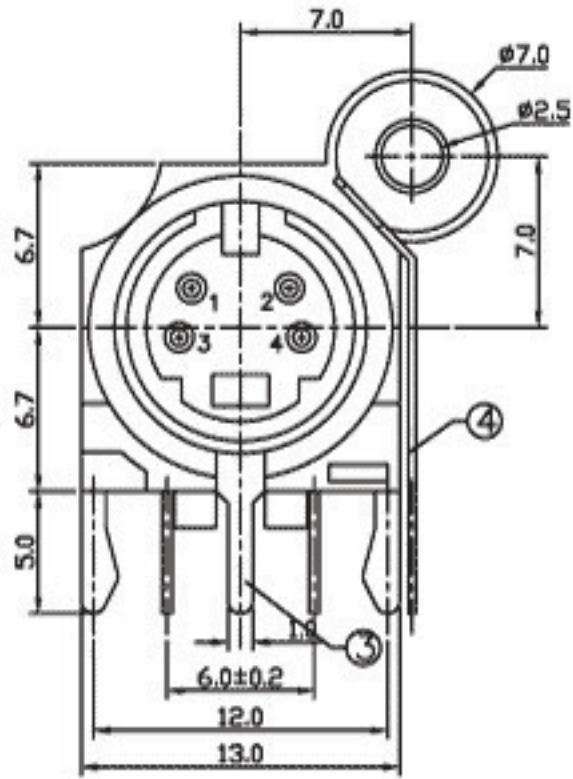
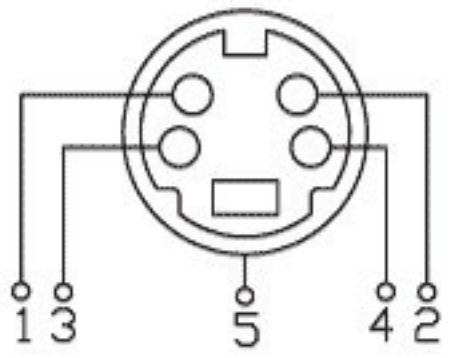


* REVISIONS				
LTR	DESCRIPTION	DATE	REVISED	APPROVED



\* T:1.6 Dimensions of PC board holes  
Tolerance : ±0.1(Printed-top view)



**SCHEMATIC**

UNLESS OTHERWISE SPECIFIED, TOLERANCE ON DECIMAL:±0.3

**LEAD FREE**

4	CONTACT FOOT	1	BRASS	MB:Cu	Cu/Sn	PLATED
3	GROUND CONTACT	1	BRASS	MB:Cu	Cu/Sn	PLATED
2	CONTACT FOOT	5	BRONZE	MB:Cu	Ag	PLATED
1	HOUSING	1	PBT			

LTR	PART NAME	QTY	MATERIAL(THICK,COLOR)	REMARK
DSND	XIAO CUI	DATE	2006.04.23	NAME S JACK
DWN	HU LUN	DATE	2006.04.23	
CHKD	GAO WEI	DATE	2006.04.23	CAT. NO. WT-09021A
APVD	JACKY	DATE	2006.04.23	

Wellco T&C Co., Ltd.

DWN.NO.  
WL-09021A 001