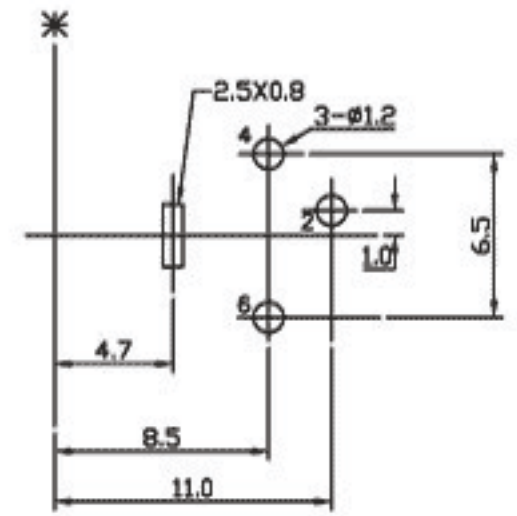
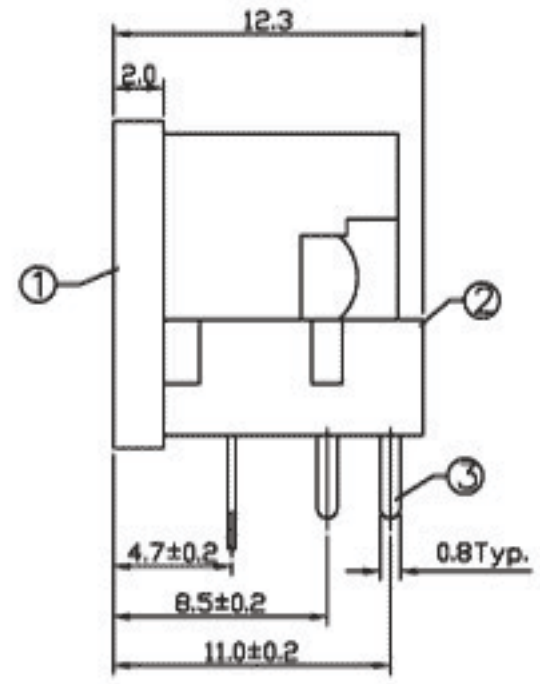
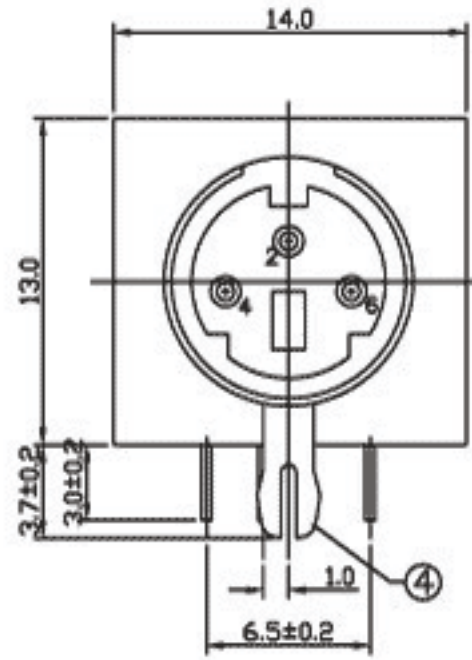
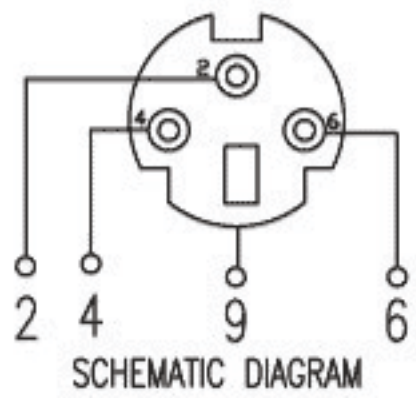


* REVISIONS				
LTR	DESCRIPTION	DATE	REVISED	APPROVED



T:1.6 Dimensions of PC board holes
Tolerance : ±0.1(Printed-bottom view)



UNLESS OTHERWISE SPECIFIED, TOLERANCE ON DECIMAL: ±0.3

LEAD FREE

4	GROUND CONTACT	1	BRASS	MB:Cu	Cu/Sn	PLATED
3	CONTACT FOOT	5	BRONZE	MB:Cu	Ag	PLATED
2	COVER	1	PBT			
1	HOUSING	1	PBT			
LTR	PART NAME		QTY	MATERIAL(THICK,COLOR)		REMARK
DSND	XIAO CUI	DATE	2006.02.20	3RD ANGLE PROJECTION	NAME S JACK	
DWN	HU LUN	DATE	2006.02.20		CAT. NO. WT-09020-3	
CHKD	GAO WEI	DATE	2006.02.20		DWN.NO. WL-09020	
APVD	JACKY	DATE	2006.02.20	UNIT: mm	001	

Wellco T&C Co., Ltd.