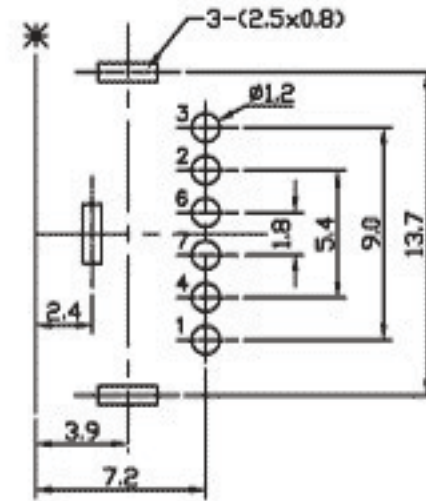
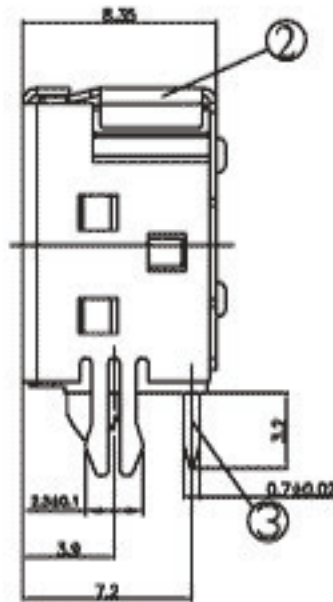
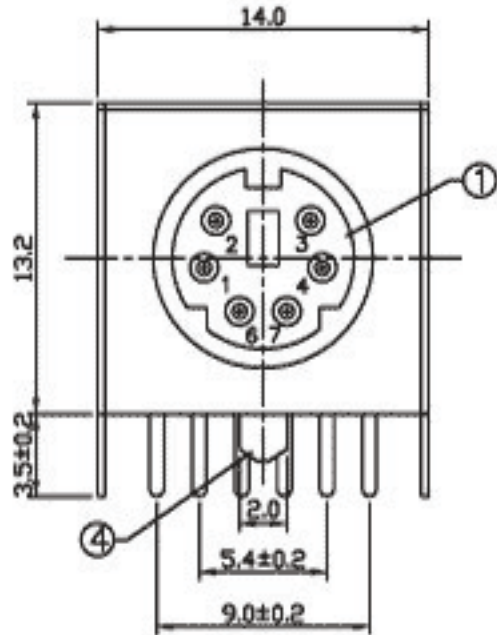
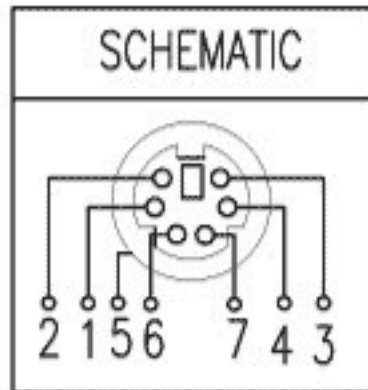


* REVISIONS				
LTR	DESCRIPTION	DATE	REVISED	APPROVED



T:1.6 Dimensions of PC board holes
Tolerance : ±0.1(Printed-bottom view)



UNLESS OTHERWISE SPECIFIED, TOLERANCE ON DECIMAL: ±0.3

LEAD FREE

4	GROUND CONTACT	1	BRASS	MB:Cu	Cu/Sn	PLATED	
3	CONTACT FOOT	1	BRONZE	MB:Cu	Ag	PLATED	
2	COAT	1	BRASS	MB:Cu	Cu/Sn	PLATED	
1	HOUSING	1	PBT				
LTR	PART NAME	QTY	MATERIAL(THICK,COLOR)	REMARK			
DSND	XIAO CUI	DATE	2006.07.01	3RD ANGLE PROJECTION	NAME		
DWN	HU LUN	DATE	2006.07.01		S JACK		
CHKD	GAO WEI	DATE	2006.07.01		CAT. NO.		
APVD	JACKY	DATE	2006.07.01		WT-09018-6		
Wellco T&C Co., Ltd.						DWN.NO.	WL-09018 002