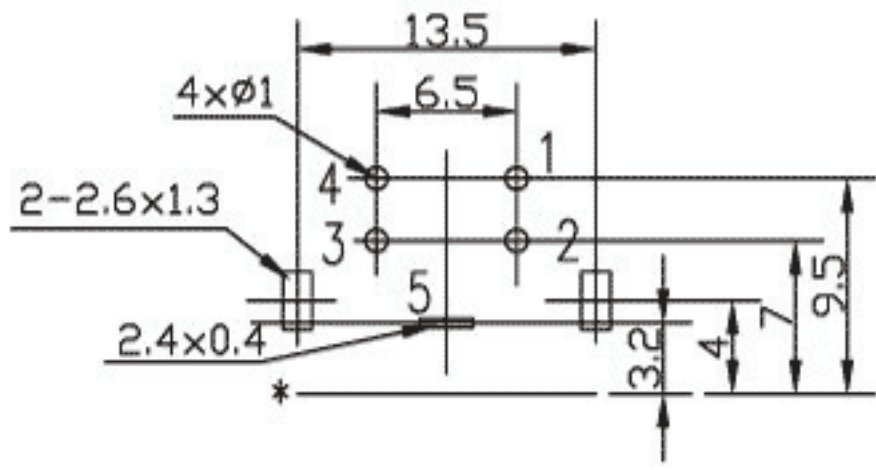
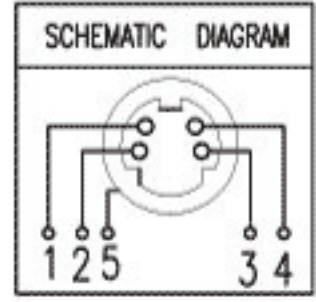
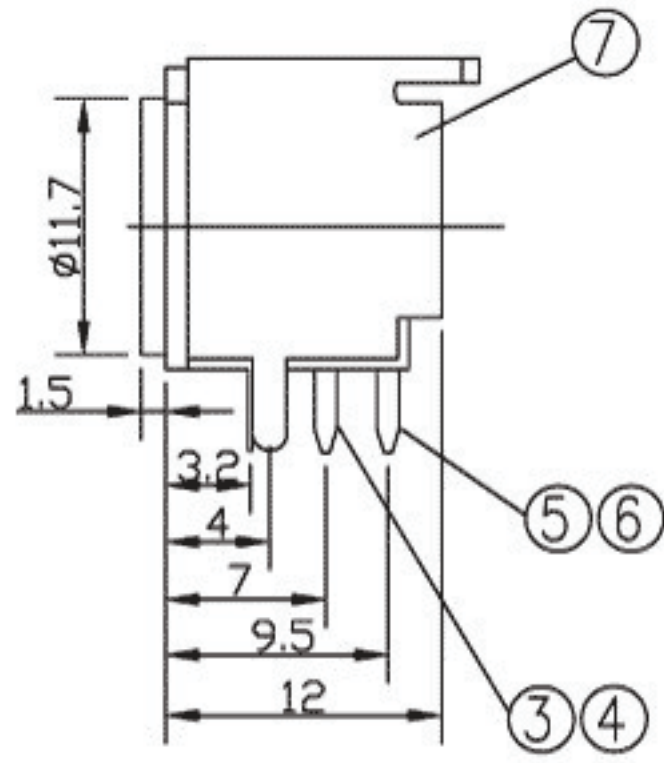
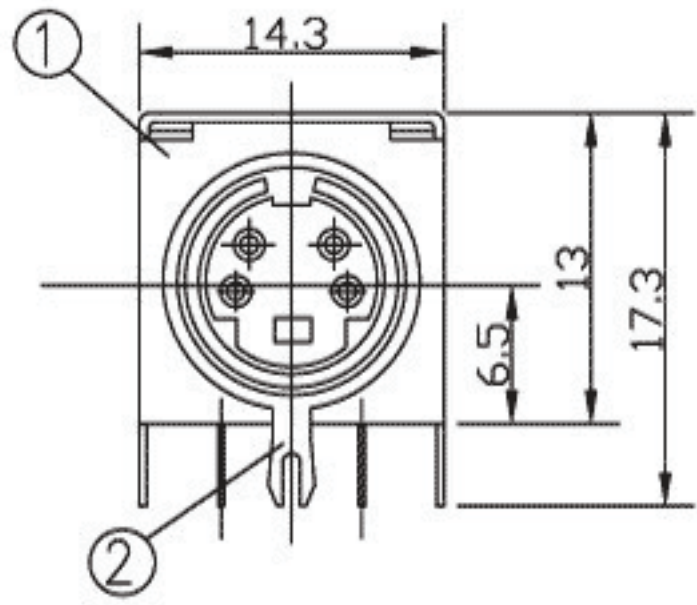


* REVISIONS				
LTR	DESCRIPTION	DATE	REVISED	APPROVED



LEAD FREE

7	COAT	1	C2680	t=0.4	MB:Cu	Cu/Sn	PLATED
6	TERMINAL	1	C5210	t=0.4	MB:Cu	Ag	PLATED
5	TERMINAL	1	C5210	t=0.4	MB:Cu	Ag	PLATED
4	TERMINAL	1	C5210	t=0.4	MB:Cu	Ag	PLATED
3	TERMINAL	1	C5210	t=0.4	MB:Cu	Ag	PLATED
2	GROUND CONTACT	1	C2680	t=0.3	MB:Cu	Cu/Sn	PLATED
1	HOUSING	1	PBT				

T:1.6 Dimensions of PC board holes
Tolerance : ±0.1(Printed-bottom view)

UNLESS OTHERWISE SPECIFIED, TOLERANCE ON DECIMAL: ±0.3

LTR	PART NAME	QTY	MATERIAL(THICK,COLOR)	REMARK	
DSND	XIAO CUI	DATE	2006.07.01	3RD ANGLE PROJECTION	
DWN	HU LUN	DATE	2006.07.01		
CHKD	GAO WEI	DATE	2006.07.01		
APVD	JACKY	DATE	2006.07.01		
				UNIT: mm	
				NAME	S JACK
				CAT. NO.	WT-09017-4
				DWN.NO.	WL-09017 001

Wellco T&C Co., Ltd.