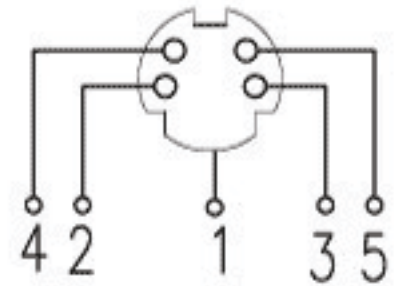
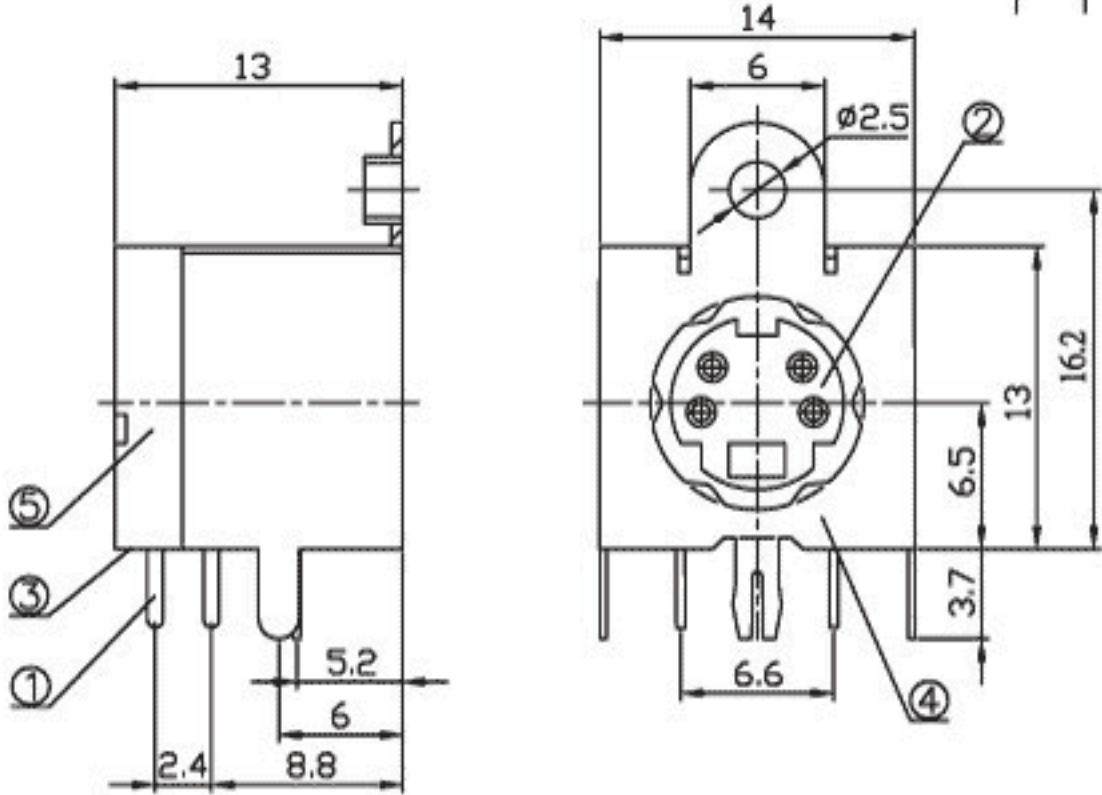
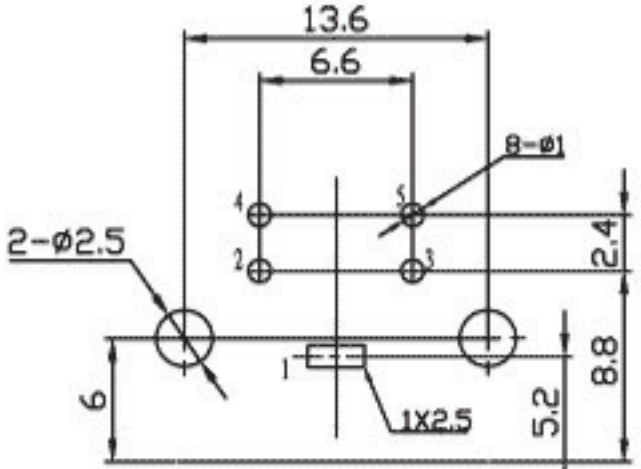
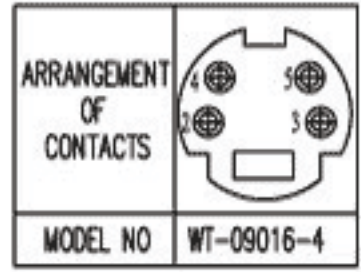


* REVISIONS				
LTR	DESCRIPTION	DATE	REVISED	APPROVED



SCHEMATIC DIAGRAM



T:1.6 Dimensions of PC board holes

Tolerance : ±0.1(Printed-top view)

Unless Otherwise Tolecified Tolerance On Decimal:±0.3

**LEAD FREE**

5	COAT	1	C2680	t=0.3	MB:Cu	Cu/Sn	PLATED
4	SHIELDED PLATE	1	C2680	t=0.3	MB:Cu	Cu/Sn	PLATED
3	COVER	1	PBT				
2	HOUSING	1	PBT				
1	TERMINAL	4	C5191	t=0.3	MB:Cu	Ag	PLATED

LTR	PART NAME	QTY	MATERIAL(THICK,COLOR)	REMARK
DSND	XIAO CUI	DATE	2006.07.01	3RD ANGLE PROJECTION
DWN	HU LUN	DATE	2006.07.01	
CHKD	GAO WEI	DATE	2006.07.01	UNIT: mm
APVD	JACKY	DATE	2006.07.01	

NAME	S JACK
CAT. NO.	WT-09016-4
DWN.NO.	WL-09016 001

Wellco T&C Co., Ltd.