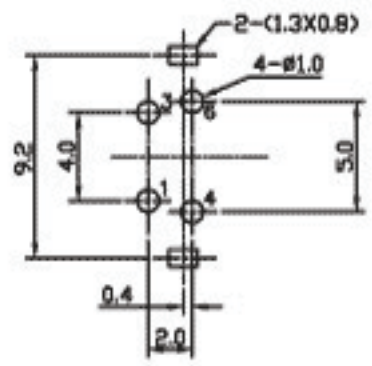
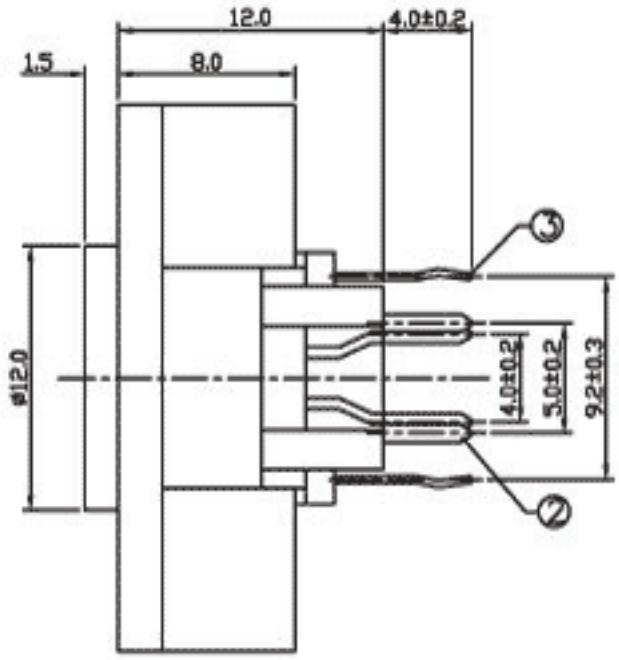
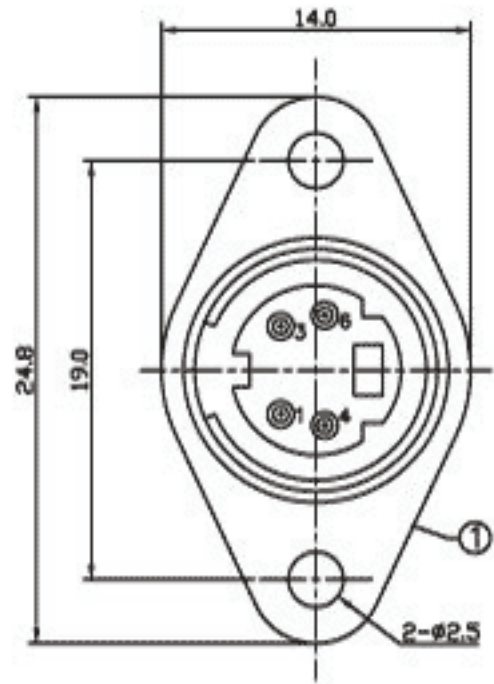
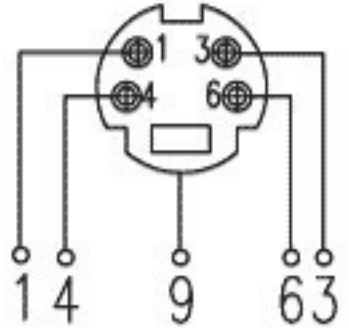


* REVISIONS				
LTR	DESCRIPTION	DATE	REVISED	APPROVED



T:1.6 Dimensions of PC board holes
Tolerance : ±0.1(Printed-top view)



Unless Otherwise Tolecified Tolerance On Decimal:±0.3

LEAD FREE

3	GROUND CONTACT	1	BRASS	WB:Cu	Cu/Sn	PLATED
2	CONTACT FOOT	4	BRONZE	WB:Cu	Ag	PLATED
1	HOUSING	1	PBT			
LTR	PART NAME	QTY	MATERIAL(THICK,COLOR)	REMARK		
DSND	XMD CUI	DATE	2006.07.01	3RD ANGLE PROJECTION	NAME S JACK	
DWN	HJ LUN	DATE	2006.07.01		CAT. NO. WT-09014-4	
CHKD	GAD WEI	DATE	2006.07.01		DWN.NO. WL-09014	
APVD	JACKY	DATE	2006.07.01		UNIT: mm 001	
Wellco T&C Co., Ltd.						