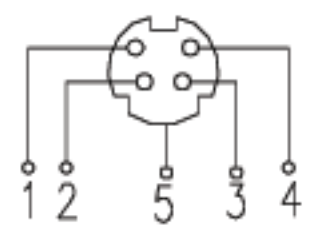
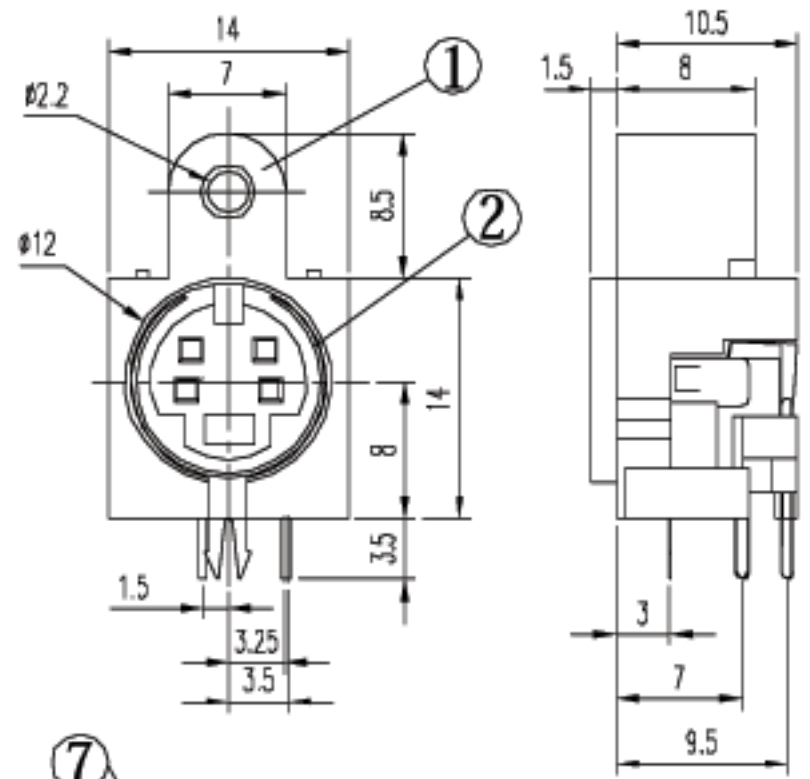
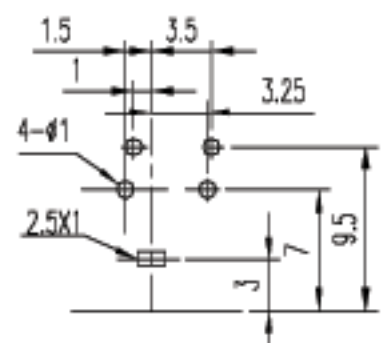


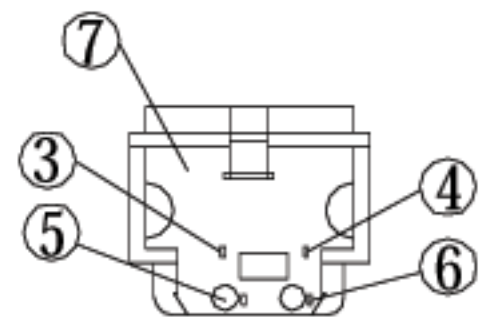
* REVISIONS				
LTR	DESCRIPTION	DATE	REVISED	APPROVED



SCHEMATIC DIAGRAM



T:1.6 Dimensions of PC board holes
Tolerance : ±0.1(Printed-bottom view)



7	COVER	1	PBT	UL-94HB
6	TERMINAL	1	C2680 t=0.3	MB:Cu Ag PLATED
5	TERMINAL	1	C2680 t=0.3	MB:Cu Ag PLATED
4	TERMINAL	1	C2680 t=0.3	MB:Cu Ag PLATED
3	TERMINAL	1	C2680 t=0.3	MB:Cu Ag PLATED
2	GROUND CONTACT	1	C5191 t=0.4	MB:Cu NI PLATED
1	HOUSING	1	PBT	UL-94HB
LTR	PART NAME	QTY	MATERIAL(THICK,COLOR)	REMARK
DSND	ANDY	DATE	2003.04.23	3RD ANGLE PROJECTION NAME S JACK CAT. NO. WDC-050 DWN.NO. SJ-050
DWN	ANDY	DATE	2003.04.23	
CHKD	LILY	DATE	2003.04.23	
APVD	JACKY	DATE	2003.04.23	
UNIT: mm				001

UNLESS OTHERWISE SPECIFIED, TOLERANCE ON DECIMAL:±0.3

Wellco T&C Co., Ltd.