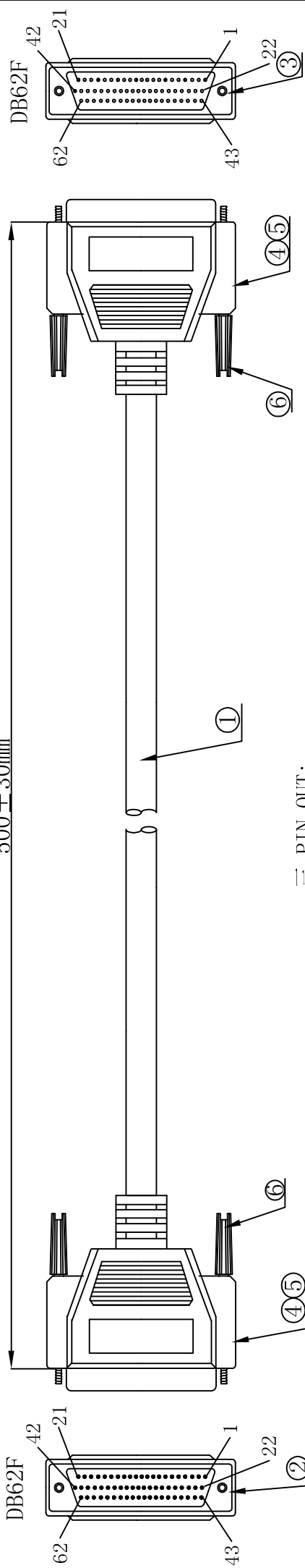


REV. DATE	A	DESCRIPTION	吳
2013.07.05			

500 ± 30mm



三. PIN OUT:

DB62F	DB62F	DB62F	DB62F	DB62F	DB62F	DB62F	DB62F	DB62F	DB62F	DB62F	DB62F	DB62F	DB62F		
1	2	3	4	5	6	7	8	9	10	11	12	13	14	15	16
23	22	24	26	48	27	28	29	30	31	32	33	NC	35	36	37
17	18	19	20	21	22	23	24	25	26	27	28	29	30	31	32
38	38	40	41	42	2	1	3	45	4	6	7	8	9	10	11
33	34	35	36	37	38	39	40	41	42	43	44	45	46	47	48
49	50	51	52	53	54	55	56	57	58	59	60	61	62	S	S
50	49	NC	53	52	54	56	55	58	57	60	59	62	61	D&B	S

- 一. ELECTRICAL TEST:
1. INSULATION RESISTANCE: DC300V/10ms;
 2. CONDUCTOR RESISTANCE: 5 ohm;
 3. 100% OPEN SHORT & MISS WIRE TEST.

二. DESCRIPTION:

NO.	ITEM SPECIFICATION	Q' TY	UNIT
①	CABLE: UL2919 28AWG*31P+AEB BLACK COLOUR OD=9.0mm	1	PCS
②	CONN.: DB62PIN FEMALE 黑胶芯	1	PCS
③	CONN.: DB62PIN FEMALE 黑胶芯	1	PCS
④	: PE	30	G
⑤	PVC: 45P PVC BLACK COLOUR	94	G
⑥	SCREW: #4-40UNC 2.3*32.5mm MOLDED PVC BLACK	4	PCS

Wellco T&C Co., Ltd.

CUSTOMER NO.:	SCALE	UNIT	mm
MATERIAL NO.:	REV	A	DATE 2013.07.05
DRAW NO.:	DRAWN	Kevin	CHECK
			APPROVED
			Chin

July 05, 2013 July 08, 201