

## BAV99 SWITCHING DIODE

### FEATURES

Power dissipation

$$P_D : 225 \text{ mW (Tamb=25}^\circ\text{C)}$$

Forward Current

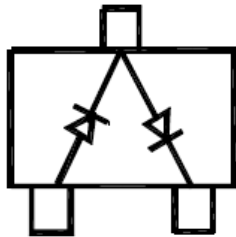
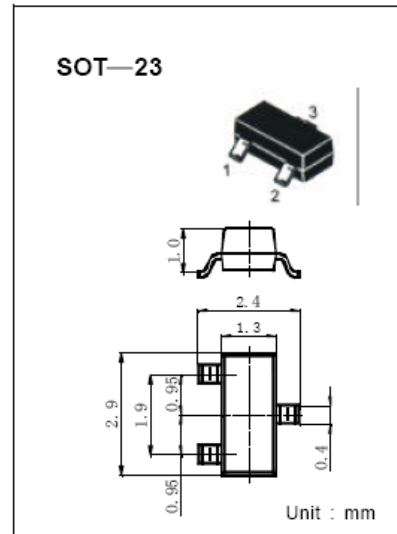
$$I_F : 215 \text{ mA}$$

Reverse Voltage

$$V_R : 70 \text{ V}$$

Operating and storage junction temperature range

$$T_J, T_{stg}: -55^\circ\text{C to } +150$$

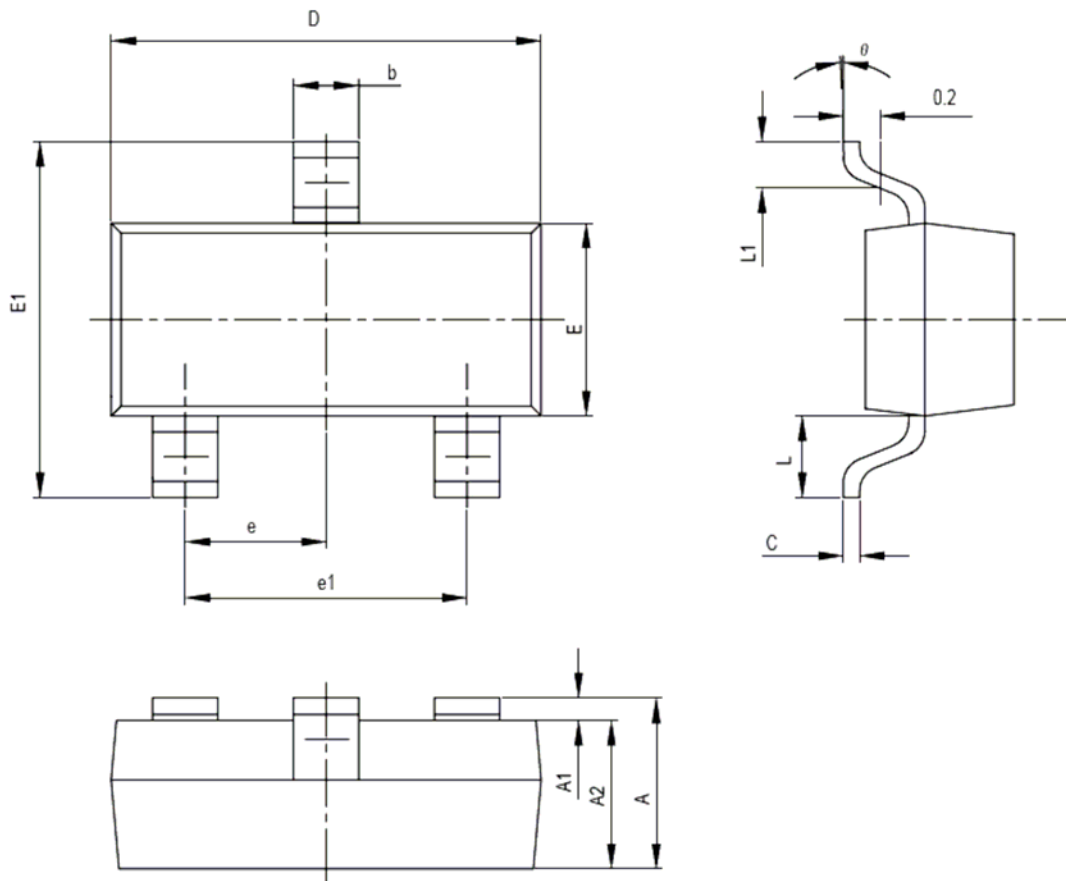


Marking A7

### ELECTRICAL CHARACTERISTICS (Tamb=25°C unless otherwise specified)

Parameter	Symbol	Test conditions	MIN	MAX	UNIT
Reverse breakdown voltage	$V_{(BR)}$	$I_R = 100 \mu\text{A}$	70		V
Reverse voltage leakage current	$I_R$	$V_R = 70\text{V}$		2.5	$\mu\text{A}$
Forward voltage	$V_F$	$I_F = 1\text{mA}$ $I_F = 10\text{mA}$ $I_F = 50\text{mA}$ $I_F = 150\text{mA}$		715 855 1000 1250	mV
Diode capacitance	$C_D$	$V_R = 0\text{V}$ $f = 1\text{MHz}$		1.5	pF
Reverse recovery time	$t_{rr}$	$I_F = I_R = 10\text{mA}$ $V_R = 5\text{V}$ $R_C = 100 \Omega$		6	nS

## SOT-23 PACKAGE OUTLINE DIMENSIONS



Symbol	Dimensions In Millimeters		Dimensions In Inches	
	Min	Max	Min	Max
A	0.900	1.100	0.035	0.043
A1	0.000	0.100	0.000	0.004
A2	0.900	1.000	0.035	0.039
b	0.300	0.500	0.012	0.020
c	0.080	0.150	0.003	0.006
D	2.800	3.000	0.110	0.118
E	1.200	1.400	0.047	0.055
E1	2.250	2.550	0.089	0.100
e	0.950TPY		0.037TPY	
e1	1.800	2.000	0.071	0.079
L	0.550REF		0.022REF	
L1	0.300	0.500	0.012	0.020
θ	0°	8°	0°	8°