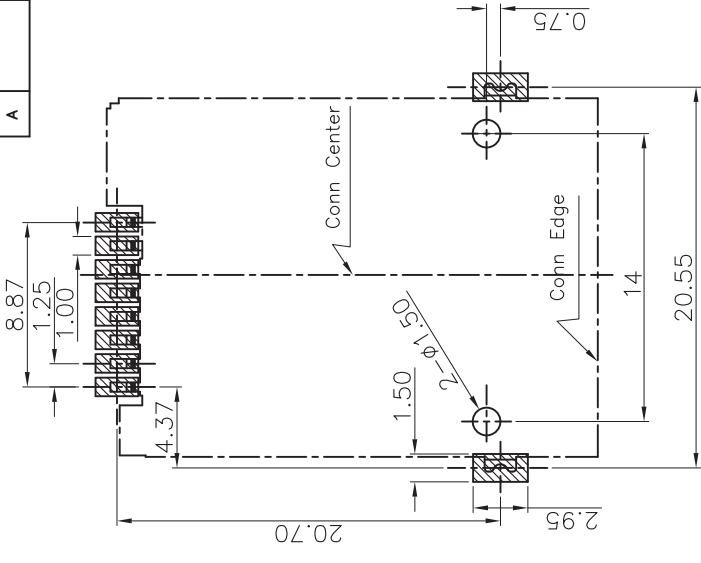
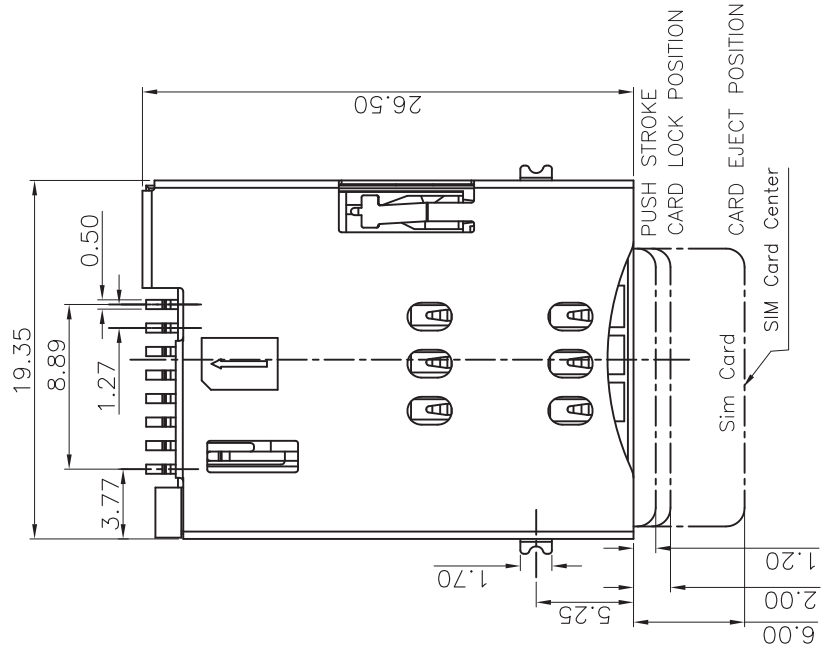
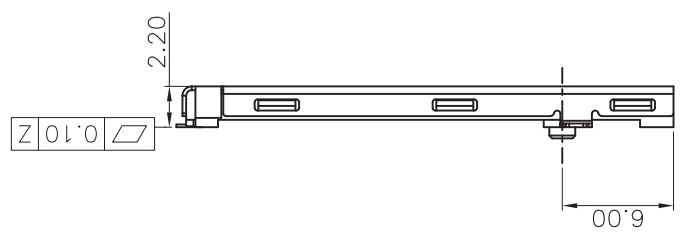


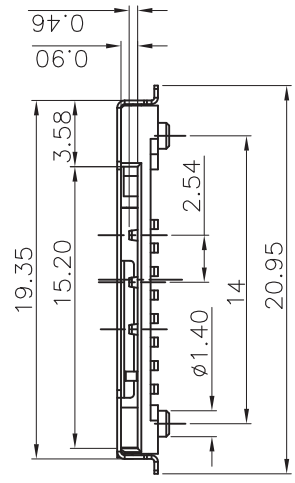
REV.	ECL. NO.	MODIFY. CONTENT	DATE
A		NEW	2013/10/08



Specification:

- *Electrical Characteristics:
- Current Rating:0.5A.
- Withstanding Voltage:AC500V r.m.s.
- Insulation Resistance:1000Megohms Minimum at DC 500V
- Contact Resistance:100Milliohms Maximum.
- *Mechanical Characteristics:
- Mating Cycles:5000 Insertions.
- *Environmental:
- Operating Temperature:-40°To+60°
- *Material:
- 1.Housing:HI-Temp plastic UL 94V-0 Rated.
- 2.Contact:Copper Alloy.
- 3.Shell:SUS.
- *Finish :
- 1u" Gold plated on contact area,1u" Gold plated on solder tails, Base Nickel :50u"Min
- *Packing:
- Number of connectors:750Pcs/REEL

P/N # 750-14



GENERAL TOLERANCE	DWG NO.	WLO929-001	APPD:	SPRING	Scale	1:1
X.±0.25	x'.±5'	SIM CARD PUSH PUSH (6+2PIN) H=2.2mm	CHKD:	UNIT	mm	
X±0.20	.x'±2'		DR:			
.XX±0.15	.xx±1'	Part NO.	Date			2013/10/08
.XXX±0.08	.xxx±0.5'					
SHEET 1/1						

Wellco T&C Co., Ltd.